



Access Solutions

NEW PRODUCTS

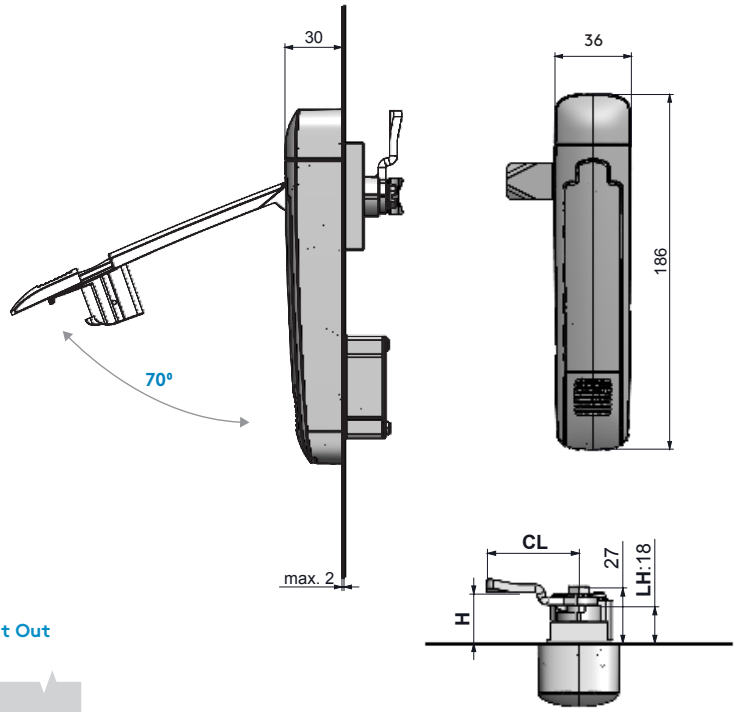
LOCKS
LATCHES
HANDLES
ACCESSORIES
HINGES



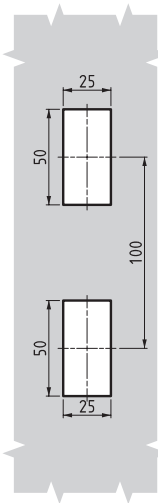


NEW

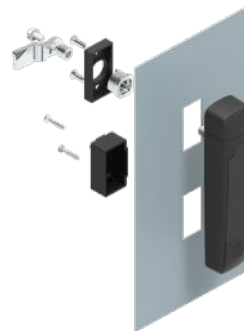
- ✓ RoHS
-
-
- IP 66
- L | R
-



Cut Out



Installation:



For different color and logo applications please contact our sales team



Features

- Handle, provide easy opening and closing up 70 degrees in the vertical direction for/ moves down.
- Metal handle.
- Sliding dust cover
- Padlock application is optional.
- Standard cut-out

MATERIAL

- BODY: Polyamide DIN-EN ISO 1043-1 PA6 GFR 30
- HANDLE: Zamak DIN-EN 1774-ZnAl4Cu1
- CAM: Steel
- SEAL: Polyurethane



Optional padlock application

Choose

CYLINDER TYPE		DD			
	Keyed alike (Stainless steel dust cap)	03			
	Keyed differ (Stainless steel dust cap)	32			
	Master system	04			
	Euro key (5333)	05			
	CH751 (Stainless steel dust cap)	07			
	DRIVER TYPE		DD		
	5 mm Double bit	15			
	8 mm Square	28			
	9 mm Triangular	39			
MATERIAL		M	FINISH		F
Zamak (Handle)		1	Black Coated (Handle)		2

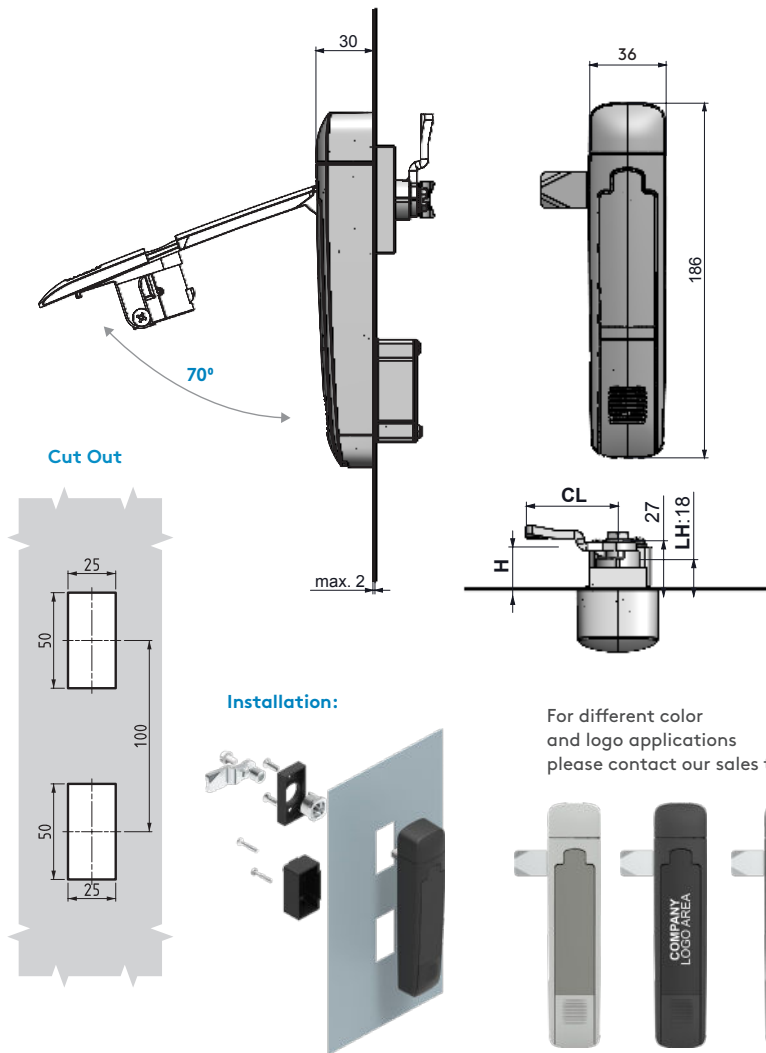
Go to the page

- For cams please check pages: 170 - 171
- For keys please check pages: 189 - 191
- For rods please check pages :178 - 188

Full product code

Group Code	Version	Handle	Body	Cylinder	Cam	Padlock*
504	3	1 F	2 0	DD	CC	

*: add "1" for padlock application



NEW

RoHS

IP 66

L R

NEW



Features

- Handle, provide easy opening and closing up 70 degrees in the vertical direction for/moves down.
- Metal handle.
- Sliding dust cover
- Padlock application is optional.
- Standard cut-out

MATERIAL

BODY: Polyamide DIN-EN ISO 1043-1 PA6 GFR 30

HANDLE: Zamak DIN-EN 1774-ZnAl4Cu1

CAM: Steel

SEAL: Polyurethane



Optional padlock application

Choose

CYLINDER TYPE		DD			
	Keyed alike (Stainless steel dust cap)	03			
	Keyed differ (Stainless steel dust cap)	32			
	Master system	04			
	Euro key (5333)	05			
	CH751 (Stainless steel dust cap)	07			
DRIVER TYPE		DD			
	5 mm Double bit	15			
	8 mm Square	28			
	9 mm Triangular	39			
	Eastern	91			
HIGH-SECURITY CYLINDER (ZAMAK)		DD			
	Keyed alike	22			
	Keyed differ	23			
MATERIAL		M	FINISH		F
Zamak (Handle)		1	Black Coated (Handle)		2

Full product code

Group Code	Version	Handle	Body	Cylinder	Cam	Padlock*
504	4	1	F	2	0	DD CC

*: add "1" for padlock application

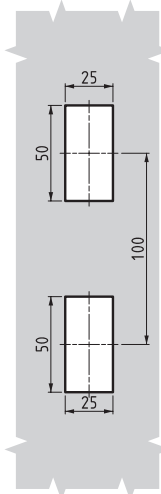
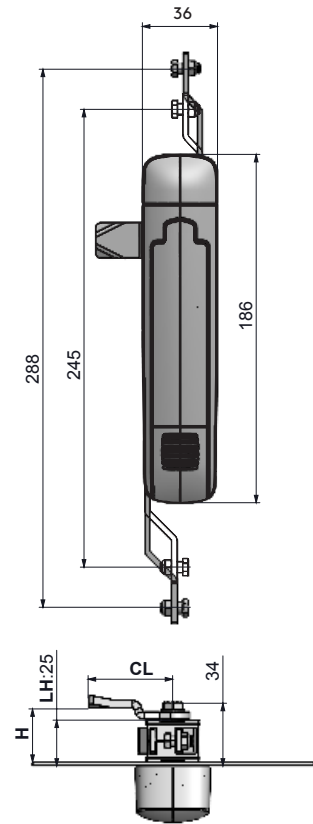
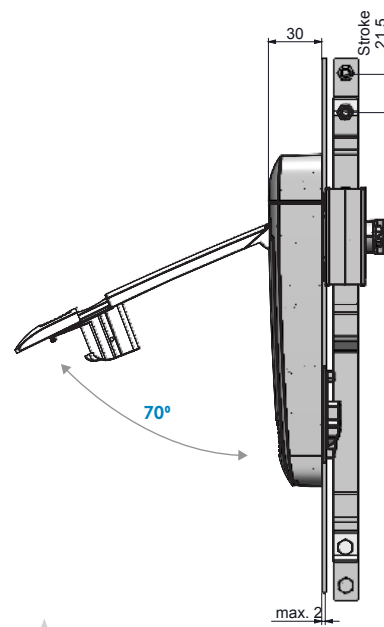
Go to the page

- For cams please check pages: 170 - 171
- For keys please check pages: 189 - 191
- For rods please check pages :178 - 188



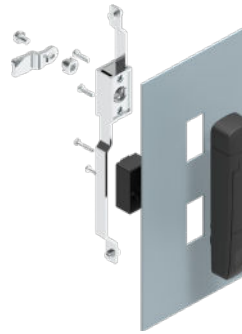
NEW

- ✓ RoHS
-
- IP 66
- L | R
-



Cut Out

Installation:



For different color and logo applications please contact our sales team



Features

- Handle, provide easy opening and closing up 70 degrees in the vertical direction for / moves down.
- Metal handle.
- Sliding dust cover
- Padlock application is optional.
- Standard cut-out

MATERIAL

- BODY:** Polyamide DIN-EN ISO 1043-1 PA6 GFR 30
- HANDLE:** Zamak DIN-EN 1774-ZnAl4Cu1
- MECHANISM:** Zamak DIN-EN 1774-ZnAl4Cu1
- CAM:** Steel
- SEAL:** Polyurethane



Padlock application

Choose

CYLINDER TYPE		DD			
	Keyed alike (Stainless steel dust cap)	03			
	Keyed differ (Stainless steel dust cap)	32			
	Master system	04			
	Euro key (5333)	05			
	CH751 (Stainless steel dust cap)	07			
DRIVER TYPE		DD			
	5 mm Double bit	15			
	8 mm Square	28			
	9 mm Triangular	39			
MATERIAL		M	FINISH		F
Zamak (Handle)		1	Black Coated (Handle)		2

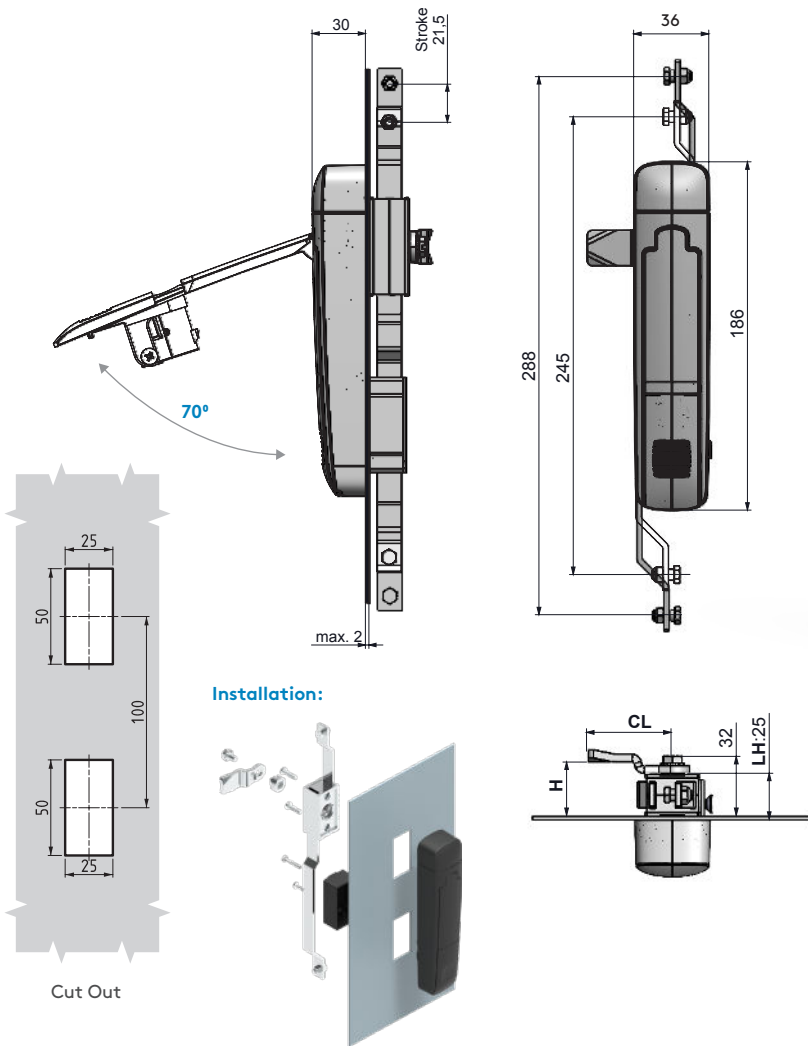
Full product code

Group Code	Version	Handle	Body	Cylinder	Cam	Padlock*
504	1	1	F	2	0	DD
						CC

*: add "1" for padlock application

Go to the page

- For cams please check pages: **172 - 173**
- For keys please check pages: **189 - 191**
- For rods please check pages: **178 - 188**



- NEW**
- ✓ RoHS
 - IP 66
 - L R



Features

- Handle, provide easy opening and closing up 70 degrees in the vertical direction for/moves down.
- Metal handle.
- Sliding dust cover
- Padlock application is optional.
- Standard cut-out

Choose

CYLINDER TYPE		DD	
	Keyed alike (Stainless steel dust cap)	03	
	Keyed differ (Stainless steel dust cap)	32	
	Master system	04	
	Euro key (5333)	05	
	CH751 (Stainless steel dust cap)	07	
DRIVER TYPE		DD	
	5 mm Double bit	15	
	8 mm Square	28	
	9 mm Triangular	39	
	Eastern	91	
HIGH-SECURITY CYLINDER (ZAMAK)		DD	
	Keyed alike	22	
	Keyed differ	23	
MATERIAL	M	FINISH	F
Zamak (Handle)	1	Black Coated (Handle)	2

MATERIAL

- BODY:** Polyamide DIN-EN ISO 1043-1 PA6 GFR 30
- HANDLE:** Zamak DIN-EN 1774-ZnAl4Cu1
- MECHANISM:** Zamak DIN-EN 1774-ZnAl4Cu1
- CAM:** Steel
- SEAL:** Polyurethane

For different color and logo applications please contact our sales team



Go to the page

- For cams please check pages: 172 - 173
- For keys please check pages: 189 - 191
- For rods please check pages: 178 - 188

Full product code

Group Code	Version	Handle	Body	Cylinder	Cam	Padlock*
504	2	1 F	2 0	DD	CC	

*: add "1" for padlock application

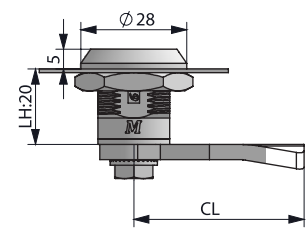
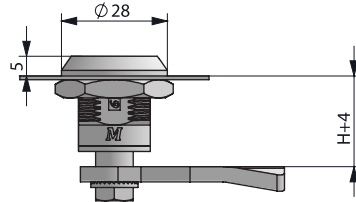


NEW

✓
RoHS



IP 66



Features

- It is used in cabins that require sealing and are exposed to vibrations.
- IP66 Protection Level
- 4 mm compression
- Sound insulation
- Alternative with drivers and cams
- Applied with cam without stopper
- Operating temperature range: -50/+80°C.
- The M22 nut should be tightened to 15 Nm.
- A special adhesive is applied to the threads of the nut to achieve extra tightness against vibration and shock.
- Maximum load capacity: 1000 N.

MATERIAL

- HOUSING:** Zamak DIN-EN 1774-ZnAl4Cu1
- DRIVER:** Zamak DIN-EN 1774-ZnAl4Cu1
- CAM:** Steel
- GASKET:** Rubber

FINISH

Chrome plated or black coated

Tested

- Tested against shock and vibration according to the DIN EN 61373 Category 1-B standard for railway applications.



The first 90° of key rotation turns the cam to locking position

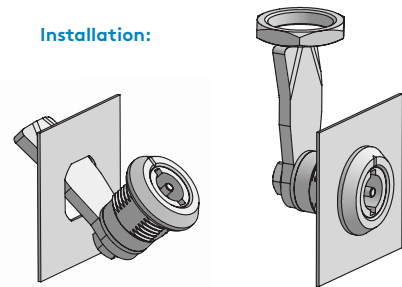
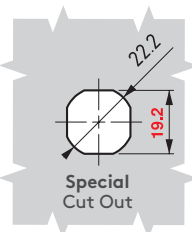
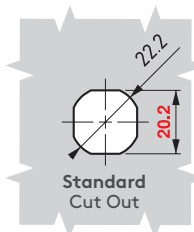
Further key rotation 180° applies **4 mm** compression

Choose

Version: **1**

Version: **3**

Installation:



MATERIAL	M	FINISH	F	DOOR DIRECTION	
Zamak	1	Chrome plated	1	Right hand	001
		Black coated	2	Left hand	002

DRIVERS									
3 mm Double bit		7 mm Square		8 mm Square		7 mm Triangular		2X4 mm Slot	
DD		DD		DD		DD		DD	
13		27		28		37		42	

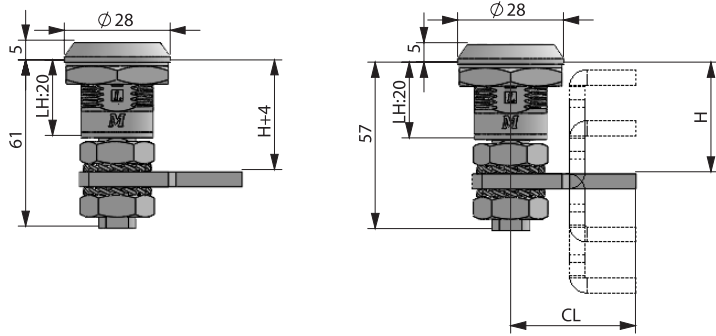
Full product code

Group Code	Version	Material	Finish	Driver	Cam	Door Direction
640	V	1	F	DD	CC	

Go to the page

For cams please check pages: 172 - 173

For keys please check pages: 189 - 191



NEW

RoHS

IP 66

L R



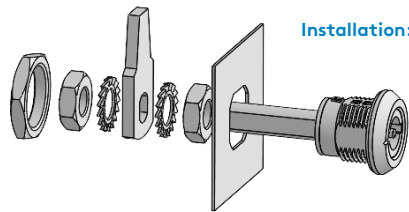
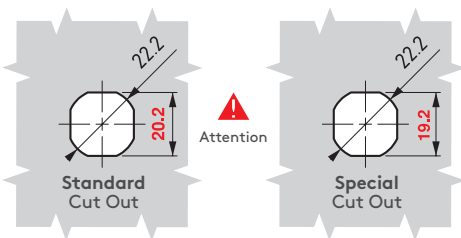
The first 90° of key rotation turns the cam to locking position

Further key rotation 180° applies 4 mm compression

Choose

Version: 2

Version: 4



Installation:

Features

- It is used in cabins that require sealing and are exposed to vibrations.
- IP66 Protection Level
- 4 mm compression
- Sound insulation
- Alternative with drivers and cams
- Applied with cam without stopper
- Operating temperature range: -50/+80°C.
- The M22 nut should be tightened to 15 Nm.
- A special adhesive is applied to the threads of the nut to achieve extra tightness against vibration and shock.
- Maximum load capacity: 1000 N.

MATERIAL

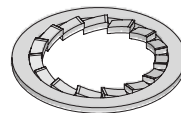
- HOUSING: Zamak DIN-EN 1774-ZnAl4Cu1
- DRIVER: Zamak DIN-EN 1774-ZnAl4Cu1
- CAM: Steel
- GASKET: Rubber

Tested

- Tested against shock and vibration according to the DIN EN 61373 Category 1-B standard for railway applications.

Note:

SERRATED WASHER
Can be ordered separately
Order Code : 060A3



Go to the page

For keys please check pages: 189 - 191

MATERIAL	M	FINISH	F	DOOR DIRECTION
Zamak	1	Chrome plated	1	Right hand 001
		Black coated	2	Left hand 002

DRIVERS				
3 mm Double bit	7 mm Square	8 mm Square	7 mm Triangular	2X4 mm Slot
DD 13	DD 27	DD 28	DD 37	DD 42

CAM	STOCK CODE	CC	CH	CL	POSITION	H GRIP	
						MIN	MAX
1	30403565Y	01	0	33	Flat	28	45
2	30403566Y	02	14	33	Up	14	31
					Down	42	59
3	30403567Y	03	27,5	33	Up	0,5	17,5
					Down	55,5	72,5

Full product code

Group Code	Version	Material	Finish	Driver	Cam	Door Direction
640	V	1	F	DD	CC	



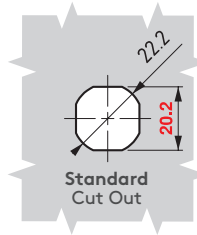
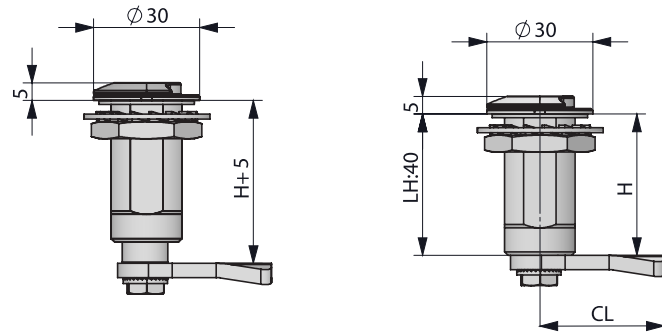
NEW

RoHS

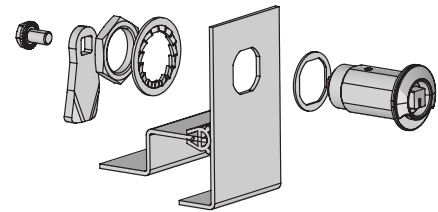
IP 65

L

R



Installation:



Features

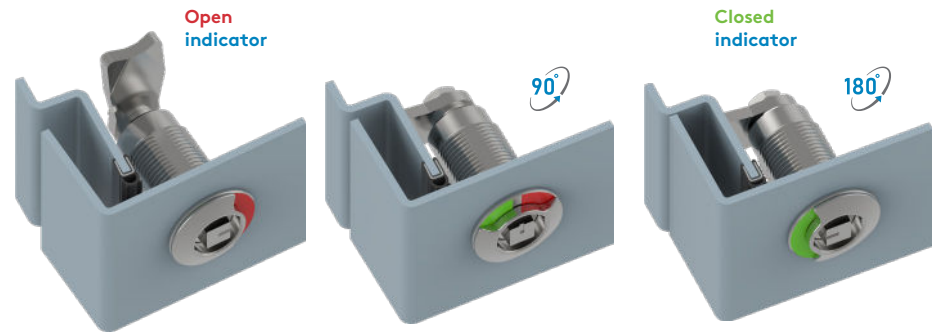
- Provides open-closed information thanks to specially designed housing and inner housing
- Used for cabinets that require better sealing under vibrating conditions
- Provides 5 mm of compression
- Provides noise isolation
- Different drivers/cams available
- Standard cams without stopper required for these locks
- Working Temperature Range: -50/+80 C
- M22 Nut : should be fixed with 20 Nm
- M10 Nut: should be fixed with 10 Nm
- Threadlocker is applied to the nut threads to get extra fastness against vibration and shock
- Max load capacity: 562 N

MATERIAL

HOUSING : Stainless Steel (AISI 304)
 DRIVER : Stainless Steel (AISI 304)
 CAM : Stainless Steel (AISI 304)
 NUT : Stainless Steel (AISI 304)

Tested

- The lock has been tested according to the DIN EN 61373 Category 1-B for vibration and shock.



The first 90° of key rotation turns the cam to locking position

Further key rotation 180° applies 5 mm compression

Choose

MATERIAL	M	FINISH	F	DOOR DIRECTION	
Stainless Steel	4	No finish	0	Right hand	001
				Left hand	002

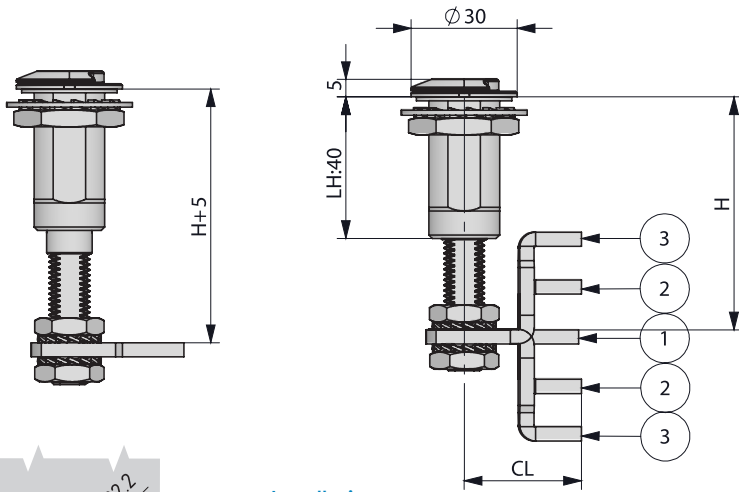
DRIVERS					
3 mm Double bit	5 mm Double bit	8 mm Square	7 mm Triangular	8 mm Triangular	2X4 mm Slot
DD 13	DD 15	DD 28	DD 37	DD 38	DD 42

Full product code

Group Code	Version	Material	Finish	Driver	Cam	Door Direction
2040	1	4	0	DD	CC	

Go to the page

- For cams please check pages: 174
- For keys please check pages: 189 - 191

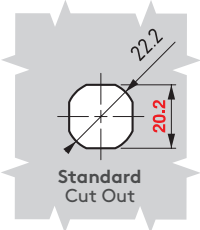


NEW

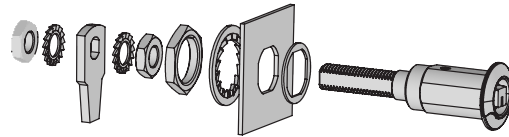
RoHS

IP 65

L R



Installation:



The first 90° of key rotation turns the cam to locking position

Further key rotation 180° applies 5 mm compression

Features

- Provides open-closed information thanks to specially designed housing and inner housing
- Used for cabinets that require better sealing under vibrating conditions
- Provides 5 mm of compression
- Provides noise isolation
- Different drivers/cams available
- Standard cams without stopper required for these locks
- Working Temperature Range: -50/+80 C
- M22 Nut : should be fixed with 20 Nm
- M10 Nut: should be fixed with 10 Nm
- Threadlocker is applied to the nut threads to get extra fastness against vibration and shock
- Max load capacity: 562 N

MATERIAL

HOUSING : Stainless Steel (AISI 304)
 DRIVER : Stainless Steel (AISI 304)
 CAM : Stainless Steel (AISI 304)
 NUT : Stainless Steel (AISI 304)

Tested

- The lock has been tested according to the DIN EN 61373 Category 1-B for vibration and shock.

Go to the page

For keys please check pages: 189 - 191

Choose

MATERIAL	M	FINISH	F	DOOR DIRECTION
Stainless Steel	4	No finish	0	Right hand 001 Left hand 002

DRIVERS					
3 mm Double bit	5 mm Double bit	8 mm Square	7 mm Triangular	8 mm Triangular	2X4 mm Slot
DD 13	DD 15	DD 28	DD 37	DD 38	DD 42

CAM	STOCK CODE	CC	CH	CL	POSITION	H GRIP MIN	H GRIP MAX
1	30403565Y	01	0	33	Flat	28	45
2	30403566Y	02	14	33	Up	14	31
					Down	42	59
3	30403567Y	03	27,5	33	Up	0,5	17,5
					Down	55,5	72,5

Full product code

Group Code	Version	Material	Finish	Driver	Cam	Door Direction
2040	2	4	0	DD	CC	

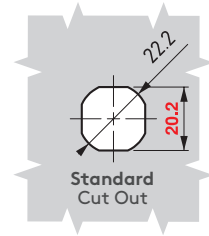
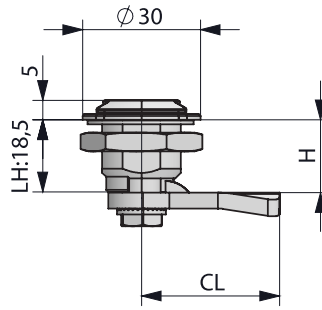


NEW

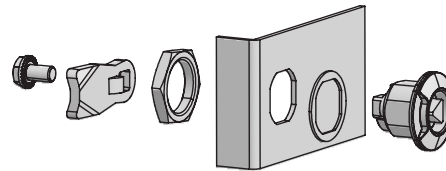
RoHS



IP 65



Installation:



Features

- Provides open-closed information thanks to specially designed housing and inner housing
- Different drivers/ cams available
- Standard cut out

MATERIAL

- HOUSING : Stainless Steel (AISI 304)
- DRIVER : Stainless Steel (AISI 304)
- CAM : Stainless Steel (AISI 304)
- NUT : Stainless Steel (AISI 304)

Open indicator

90°

Key rotation angle

Closed indicator



Choose

MATERIAL	M	FINISH	F	DOOR DIRECTION
Stainless Steel	4	No finish	0	Right hand 001
				Left hand 002

DRIVERS					
3 mm Double bit	5 mm Double bit	8 mm Square	7 mm Triangular	8 mm Triangular	2X4 mm Slot
DD 13	DD 15	DD 28	DD 37	DD 38	DD 42

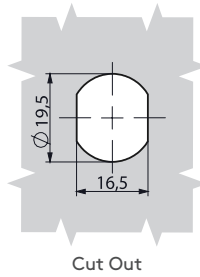
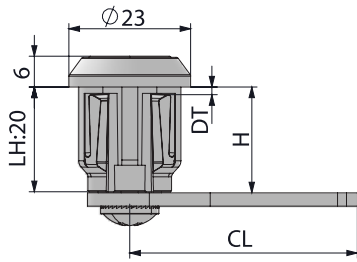
Full product code

Group Code	Material	Finish	Driver	Cam	Door Direction
2060	4	0	DD	CC	

Go to the page

For cams please check pages: 174

For keys please check pages: 189 - 191



NEW

RoHS



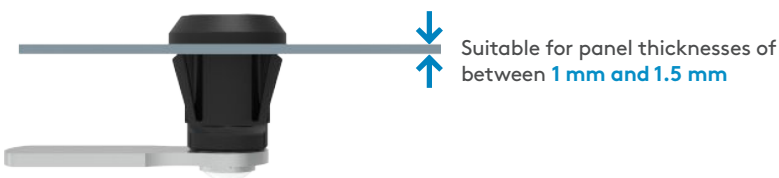
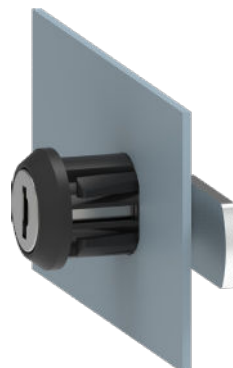
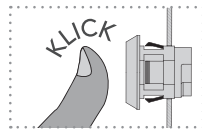
Features

- Clip fixing for easy assembly
- Mounting nut not required
- 1-1,5 mm suitable panel thickness

MATERIAL

HOUSING : Polyamide DIN-EN ISO 1043-1 PA6 GFR 15
 CYLINDER : Zamak DIN-EN 1774-ZnAl4Cu1
 CAM : Steel

Easy Assembly

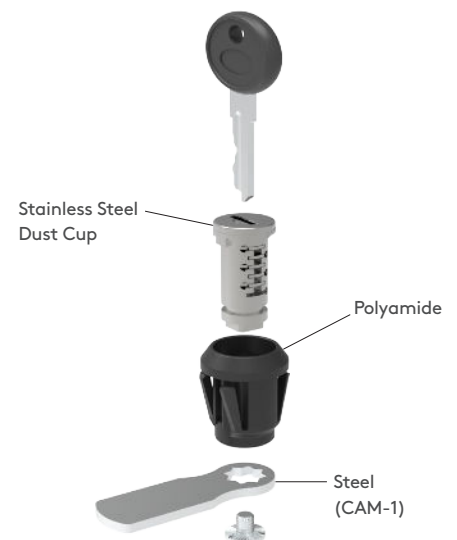


Choose

CYLINDER		DD
	Keyed alike (Stainless steel dust cap)	03
	Keyed differ (Stainless steel dust cap)	32
	Mater Key	04
	Euro key (5333)	05

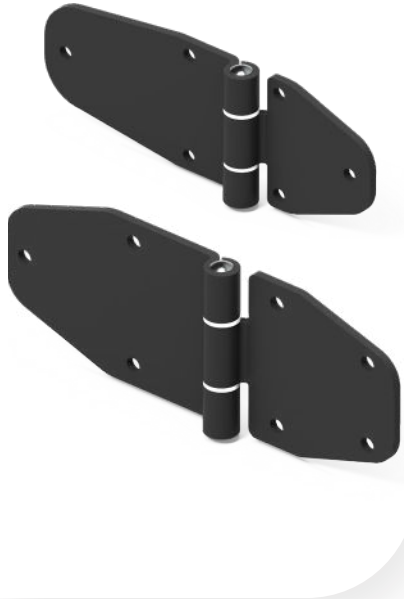
Full product code

Group Code	Material	Finish	Cylinder	Cam
550	2	0	DD	CC



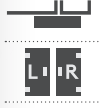
Go to the page

For cams please check pages: 175 (CAM-1)

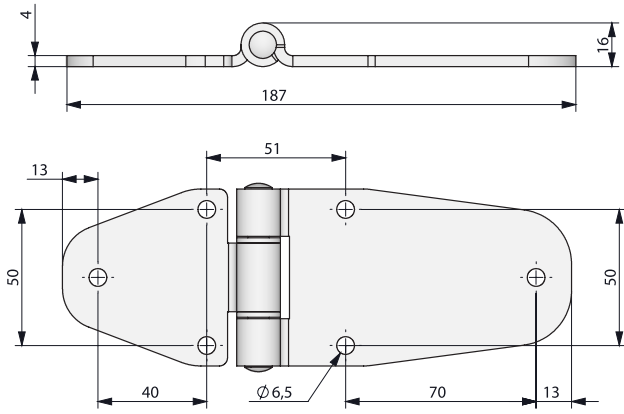


NEW

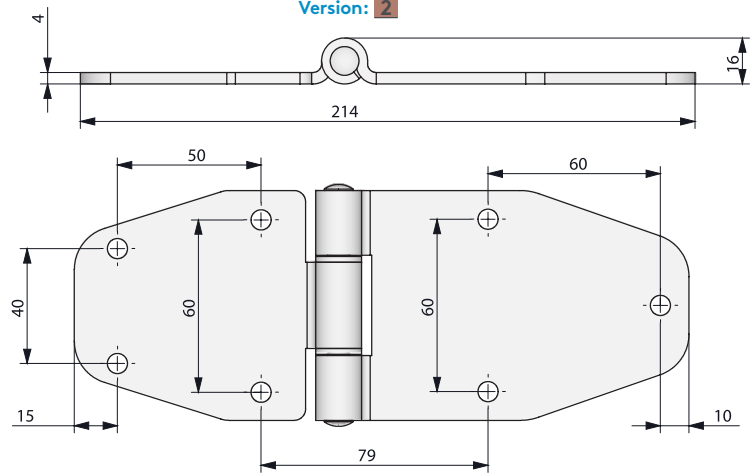
RoHS



Version: **1**



Version: **2**

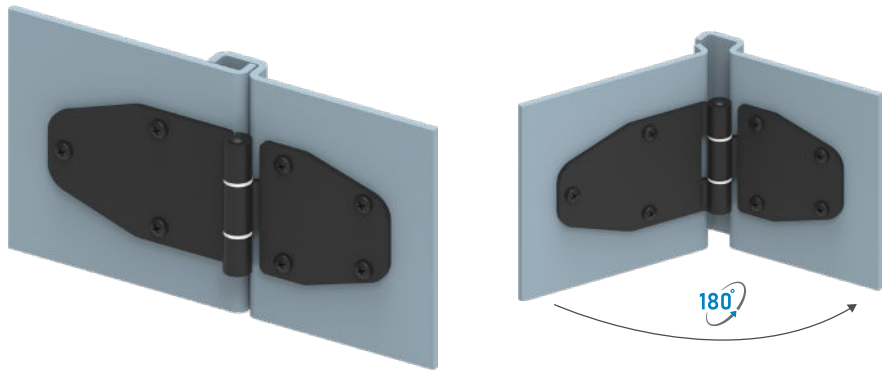


Features

- Generally, used for plain/flush mounted, isolated heavy doors.
- Both parts are attached by screws or nuts and bolts.
- Hinge Rotation angle is 180°

MATERIAL & FINISH

- BODY : Steel
 PIN : Stainless Steel (AISI 303)
 FINISH : Zinc Plated or Black Coated

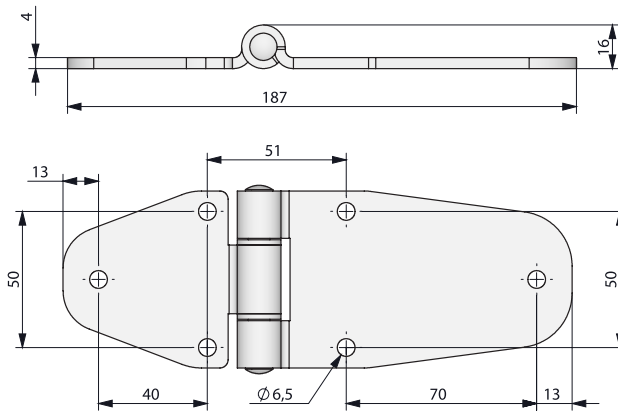


MATERIAL	M	FINISH	F
Steel	6	Zinc plated	3
		Black coated	2

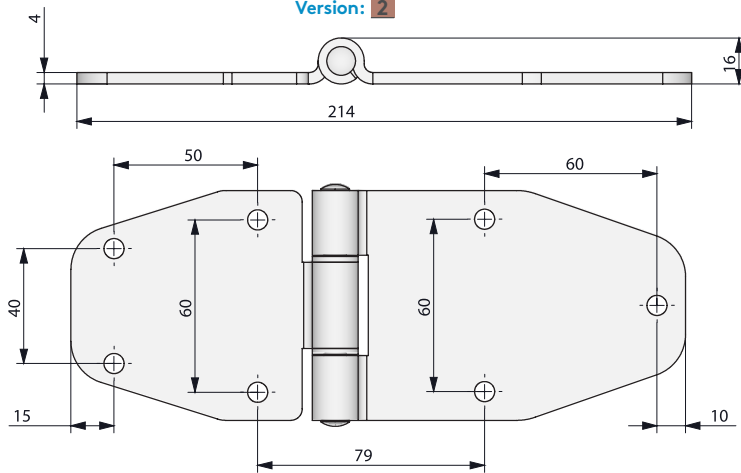
Full product code

Group Code	Material	Finish	Version
4599	6	F	V

Version: 1

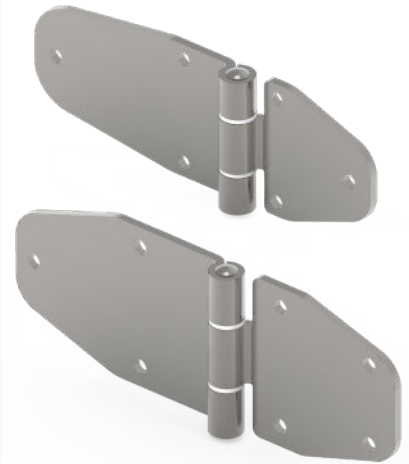
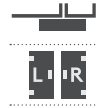


Version: 2



NEW

RoHS

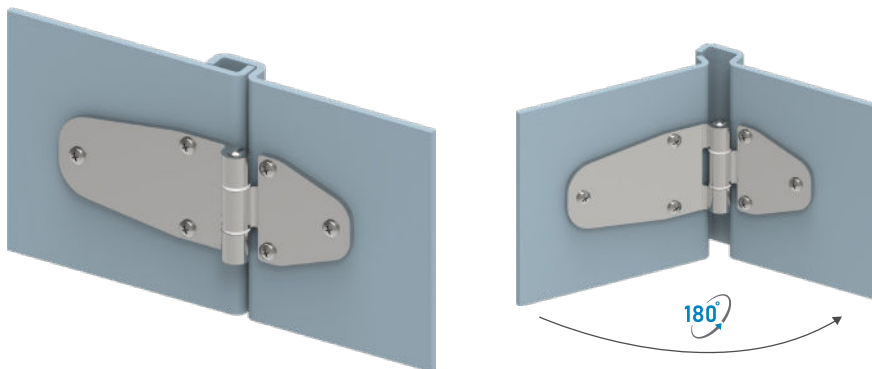


Features

- Generally, used for plain/flush mounted, isolated heavy doors.
- Both parts are attached by screws or nuts and bolts.
- Hinge Rotation angle is 180°

MATERIAL & FINISH

BODY : Stainless steel (AISI 304)
 PIN : Stainless Steel (AISI 303)



Full product code

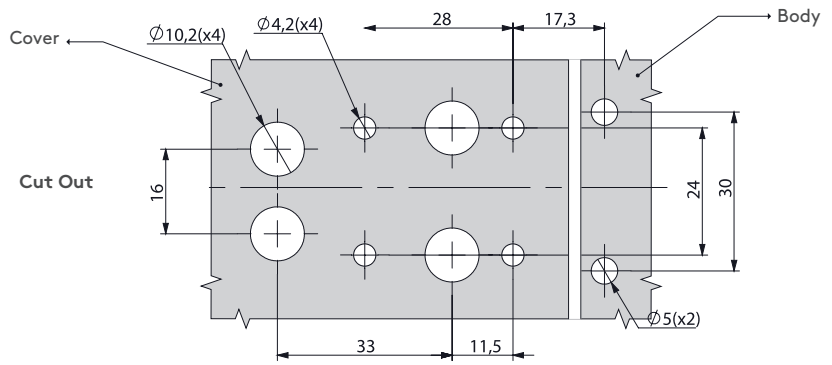
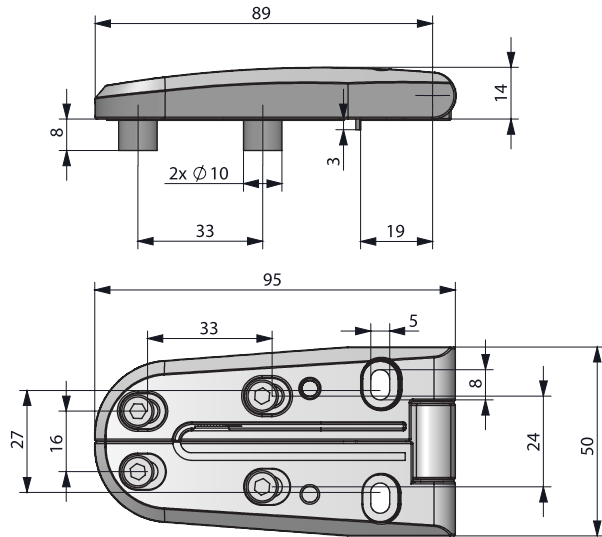
Group Code	Material	Finish	Version
4599	4	0	V



NEW



3D



Features

- Hinges specifically engineered to facilitate easy installation on insulated doors.
- Ability to rotate 180 degrees
- 3 mm adjustment x, y and axis
- The bolts and socket set screws are pre-assembled on the product.

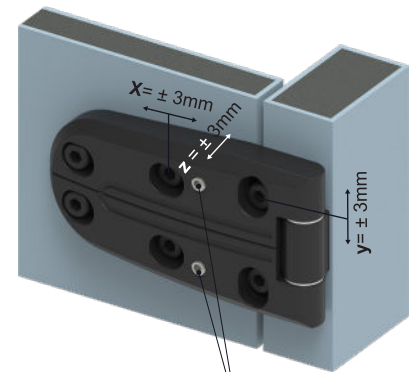
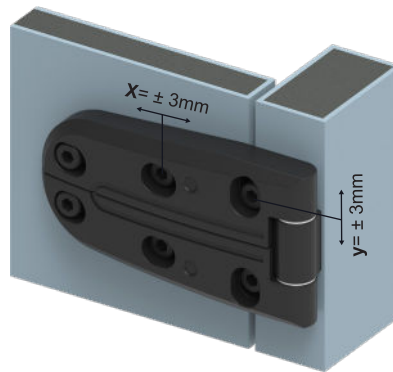
MATERIAL & FINISH

BODY : Zamak DIN-EN 1774-ZnAl4Cu1
 PIN : Stainless Steel (AISI 303)
 FINISH : Black Coated

Choose

Option: 1
 2D Adjustable

NEW Option: 2
 3D Adjustable

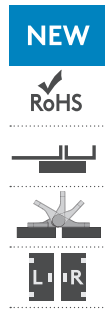
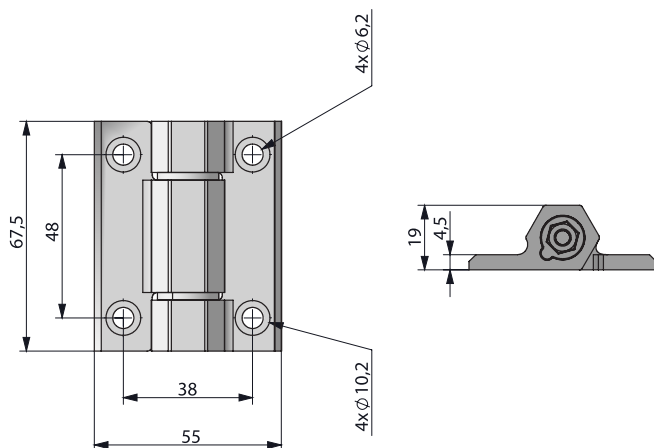


Adjustment bolt (Stainless Steel)

MATERIAL	M	FINISH	F
Zamak	1	Chrome plated	1
		Black coated	2

Full product code

Group Code	Version	Material	Finish	Option
1500	2	1	F	O

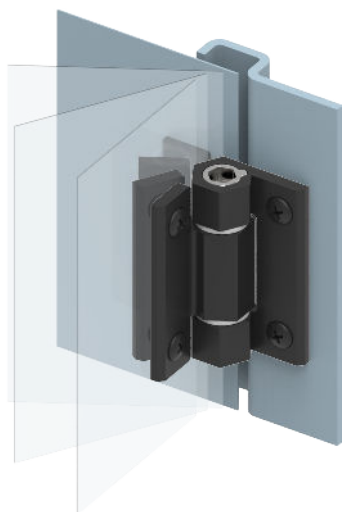


Features

- Provide position control
- Torque is preset
- Fixed with M6 screw
- Suitable for left- and right-hand application

MATERIAL & FINISH

BODY : Aluminium
 PIN : Stainless Steel (AISI 303)



There is a positioning available at 30 degrees.

Full product code

Group Code	Material	Finish	Version
2699	5	2	25

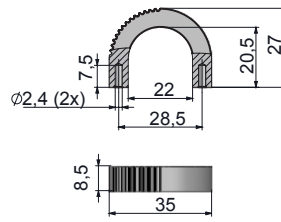
FINGER HANDLE

185

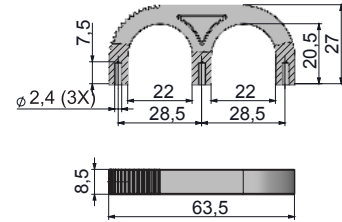


NEW
RoHS

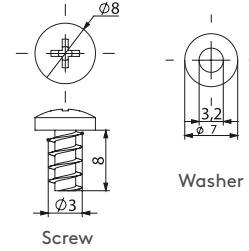
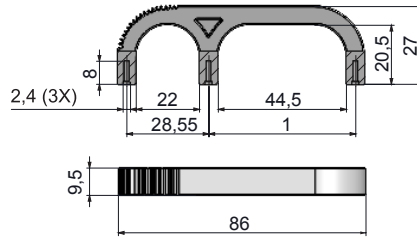
Version: 1



Version: 2



NEW
Version: 3



Features

- Installation with screw and washer
- Comes with screw and washer (Option1)

MATERIAL

Polyamide DIN-EN ISO 1043-1
PA 6 GFR 30

Choose

MATERIAL	M	FINISH	F	OPTION	O
Plastic	2	Ral 9005 (Black)	0	Only handle	0
		Ral 7035 (Grey)	8		
		Ral 3020 (Red)	9	Handle + Screw + Washer	1

Full product code

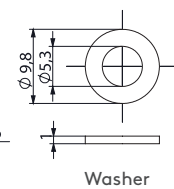
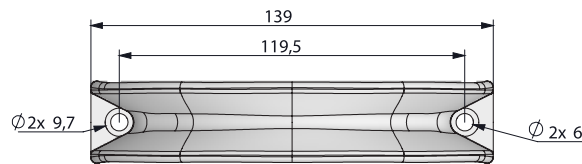
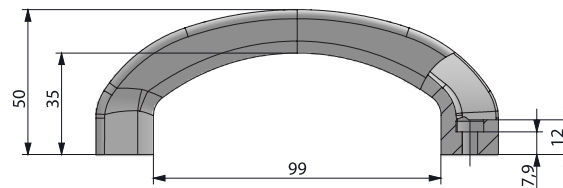
Group Code	Material	Finish	Version	Option
185	2	F	V	O

COVER HANDLE

386



NEW
RoHS



Features

- Installation with screw, washer and nut
- Comes with nut and washer

MATERIAL

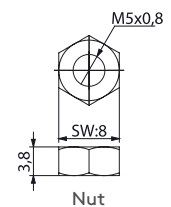
Polyamide DIN-EN ISO 1043-1
PA 6 GFR 30

FINISH

RAL 9005

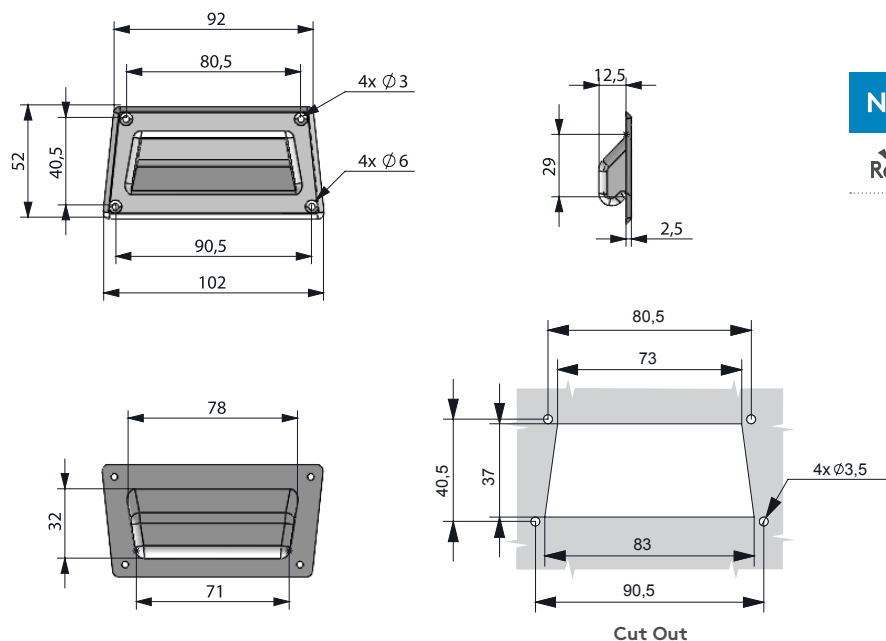
Full product code

Group Code	Material	Finish
386	2	0



574

RECESSED HANDLE



NEW
RoHS



Features

- Installation with bolt
- Flush Design

MATERIAL
ABS

Choose

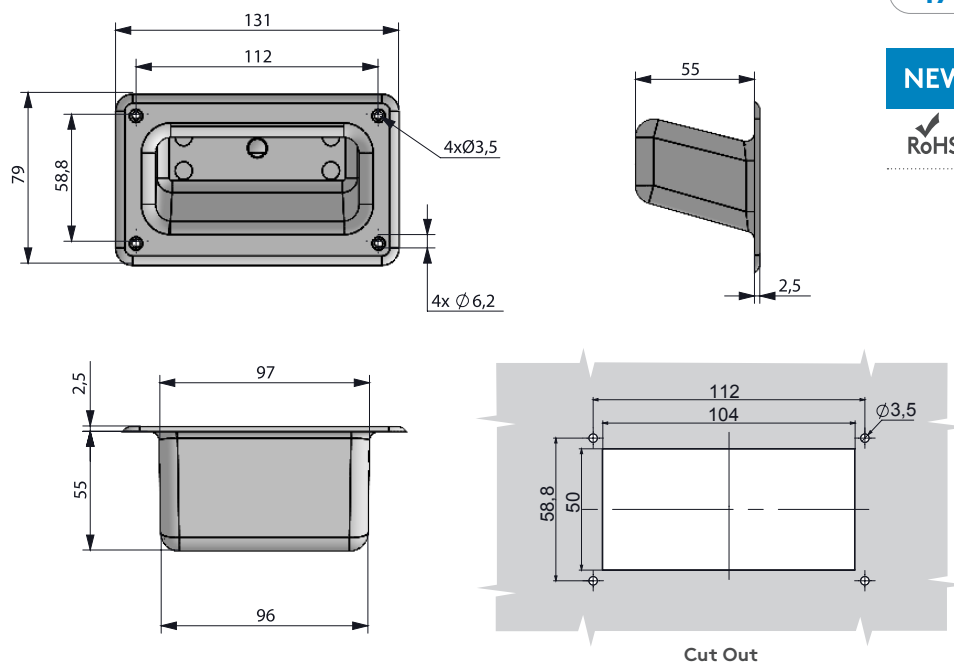
MATERIAL	M	FINISH	F
Plastic	2	Ral 9005 (Black)	0
		Ral 7035 (Grey)	8

Full product code

Group Code	Material	Finish
574	2	F

474

RECESSED HANDLE



NEW
RoHS



Features

- Installation with bolt
- Flush Design

MATERIAL
ABS

Full product code

Group Code	Material	Finish
474	2	0

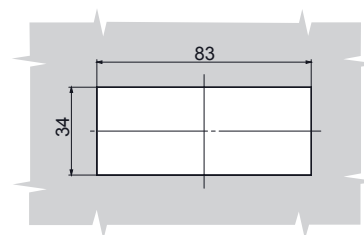
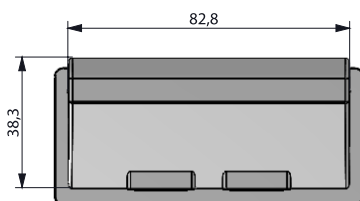
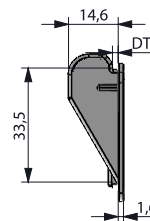
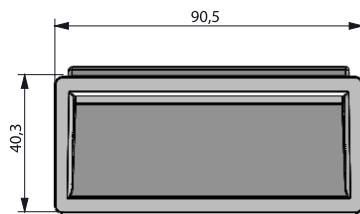
▶ HANDLES

COVER PULL (SNAP-IN)

674



NEW



Cut Out

Features

- Easy installation by clips
- Flush Design

MATERIAL
ABS

FINISH
RAL9005
RAL7035

DT
1,5-2 mm

Choose

MATERIAL	M	FINISH	F
Plastic	2	Ral 9005 (Black)	0
		Ral 7035 (Grey)	8

Full product code

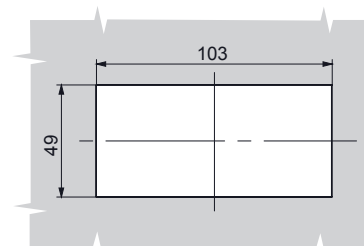
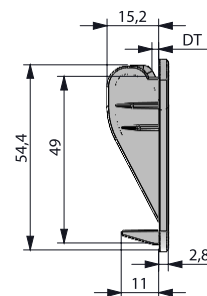
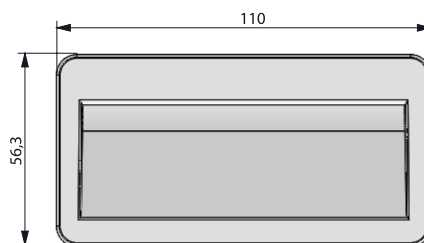
Group Code	Material	Finish
674	2	F

COVER PULL (SNAP-IN)

774



NEW



Cut Out

Features

- Easy installation by clips
- Flush Design

MATERIAL
ABS

FINISH
RAL9005
RAL7035

DT
0,8-1,5 mm

Choose

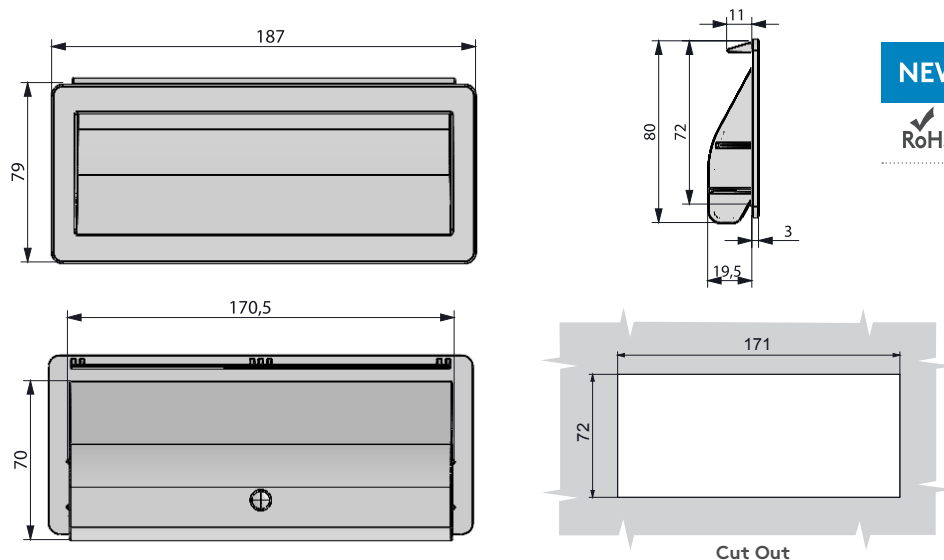
MATERIAL	M	FINISH	F
Plastic	2	Ral 9005 (Black)	0
		Ral 7035 (Grey)	8

Full product code

Group Code	Material	Finish
774	2	F

874

COVER PULL (SNAP-IN)



NEW

RoHS



Features

- Easy installation by clips
- Flush Design
- DT 1,5-2 mm
- Supplied with 2 zinc-plated clips (32003853)

MATERIAL

ABS

FINISH

RAL 9005

Choose

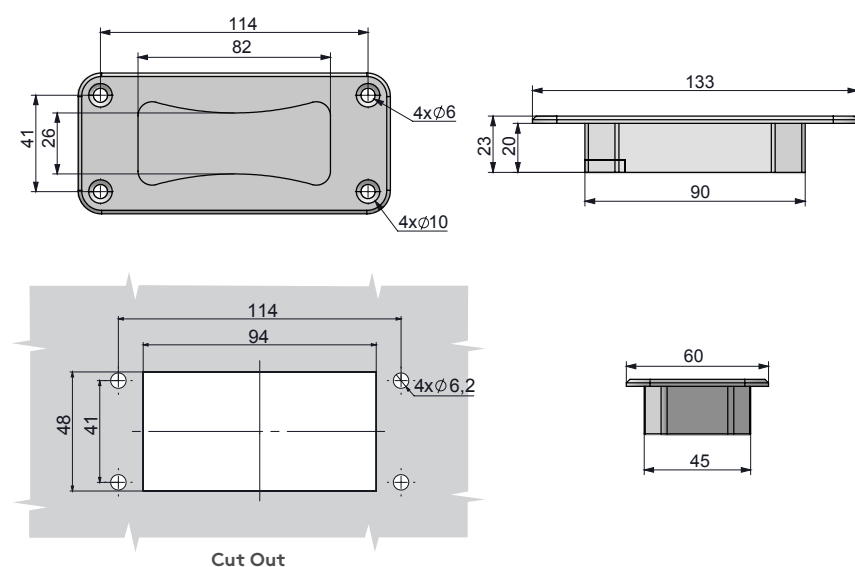
MATERIAL	M	FINISH	F
Plastic	2	Ral 9005 (Black)	0

Full product code

Group Code	Material	Finish
874	2	0

974

GÖMME TUTAMAK



NEW

RoHS



Features

- Installation with bolt
- Flush Design

MATERIAL

ABS

FINISH

RAL 9005

Choose

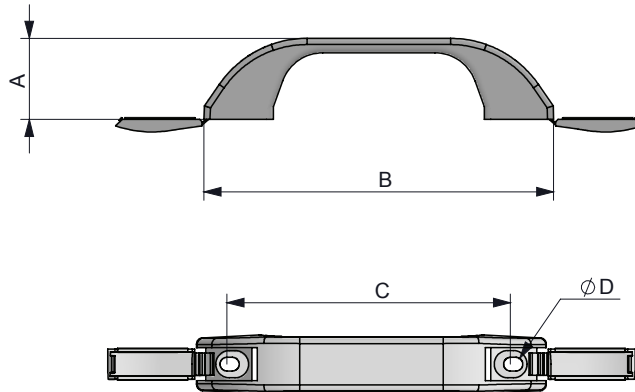
MATERIAL	M	FINISH	F
Plastic	2	Ral 9005 (Black)	0

Full product code

Group Code	Material	Finish
974	2	0

NEW

✓
RoHS



Features

- Installation with two screws
- Adjustment in x axis
- Ergonomic Design

MATERIAL
ABS

FINISH
RAL9005

PRODUCT CODE	A	B	C	ØD
081201	19	82	66,5	3,2
081202	25	110	89	3,2
081203	32	138	112	4,2
081204	39	173,5	138	5,2

