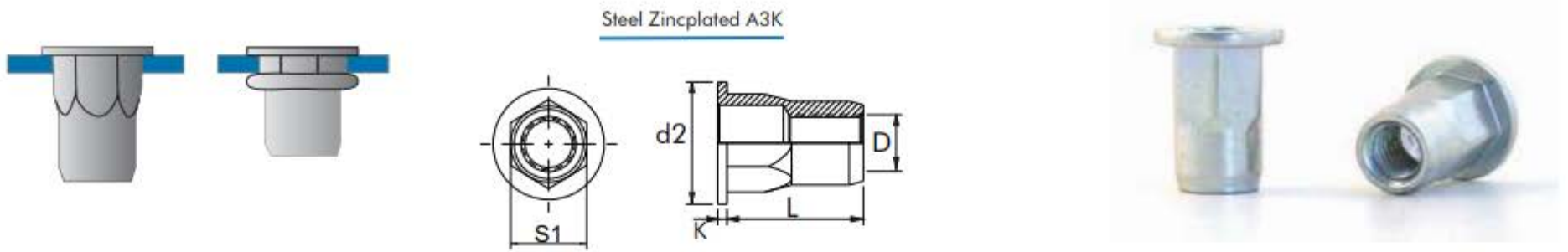


STEEL

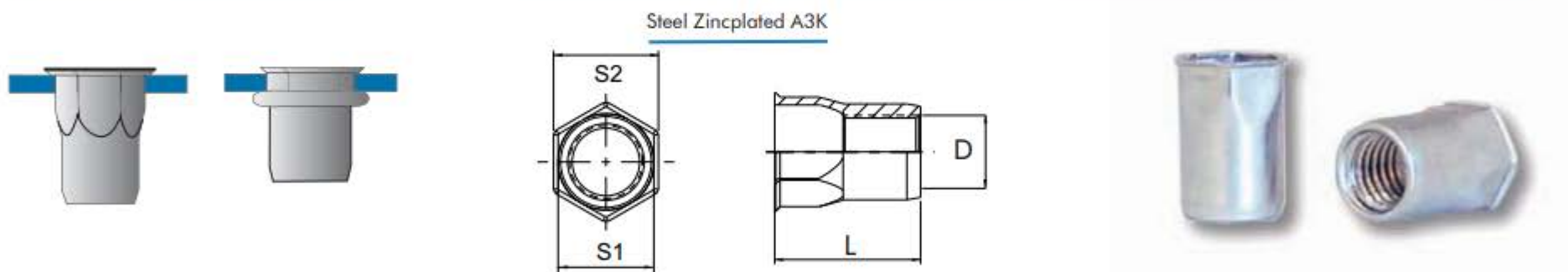
HEXAGON CYLINDRICAL INSERT NUT Large head - open end



D	E MIN. mm MAX.	L Nominal mm	S1 Ø mm	d2 Ø mm	K mm	mm	PACKAGING		(N)	(N)	(Nm)	REFERENCE
							Inner	Outer				
M 4	0,5 - 2,5	9,00	5,95	9,00	0,90	6,10	500	4.000	3400	7900	4,8	0334104006
M 5	0,5 - 3,0	12,50	6,95	10,00	1,00	7,10	500	4.000	7000	9800	6,5	0334105007
M 6	0,5 - 3,0	14,50	8,95	13,00	1,50	9,10	250	2.000	7100	19100	22,0	0334106009
M 10	0,8 - 3,0	20,00	12,95	19,00	2,00	13,10	150	900	13400	36000	60,0	0334101013

STEEL

HEXAGON CYLINDRICAL INSERT NUT Reduced head - open end



D	E MIN. mm MAX.	L Nominal mm	S1 Ø mm	S2 Ø mm	mm	PACKAGING		(N)	(N)	(Nm)	REFERENCE
						Inner	Outer				
M 6	0,7 - 3,0	15,00	8,95	10,00	9,10	500	3.000	7100	18700	14,0	0334206009
	3,0 - 5,5	17,50									0334216009
M 10	1,0 - 3,5	20,00	12,95	14,00	13,10	150	900	13200	33400	52,0	0334201013
	3,5 - 6,0	24,00				150	900				0334211013