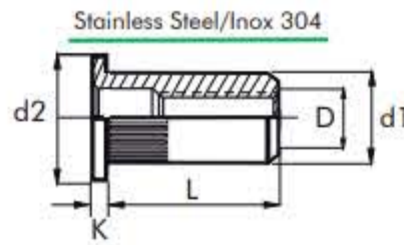
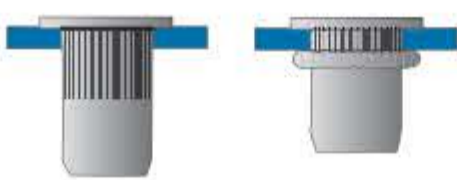


STAINLESS STEEL

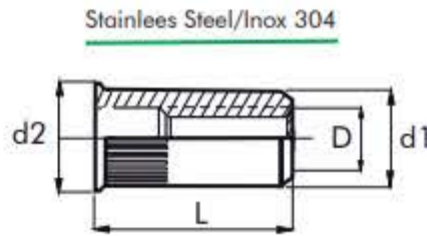
GROOVED INSERT NUT Large head - open end



| D | E MIN. mm MAX. | L Nominal mm | d1 Ø mm | d2 Ø mm | K mm | mm | PACKAGING | | (N) | (N) | (Nm) | REFERENCE |
|------|-------------------|-----------------|------------|------------|---------|-------|-----------|-------|-------|--------|-------|------------|
| | | | | | | | Inner | Outer | | | | |
| M 4 | 0,5 - 2,0 | 9,50 | 5,90 | 9,00 | 1,00 | 6,10 | 500 | 4.000 | 5600 | 9100 | 6,4 | 0373104006 |
| | | | | | | | | | | | | |
| M 5 | 0,5 - 3,0 | 12,00 | 6,90 | 10,00 | 1,00 | 7,10 | 500 | 4.000 | 6800 | 15800 | 8,4 | 0373105007 |
| | 3,0 - 4,5 | 13,50 | | | | | | | | | | |
| M 6 | 0,5 - 3,0 | 14,50 | 8,90 | 13,00 | 1,50 | 9,10 | 250 | 2.000 | 9000 | 23800 | 26,7 | 0373106009 |
| | | | | | | | | | | | | |
| M 8 | 0,5 - 3,0 | 16,50 | 10,90 | 16,00 | 1,50 | 11,10 | 250 | 1.500 | 10600 | 40600 | 62,5 | 0373108011 |
| | 3,0 - 5,5 | 18,50 | | | | | | | | | | |
| M 10 | 1,0 - 3,5 | 19,00 | 12,90 | 17,00 | 2,00 | 13,10 | 150 | 900 | 11300 | >49000 | 111,7 | 0373101013 |
| | | | | | | | | | | | | |

GROOVED INSERT NUT Reduced head - open end

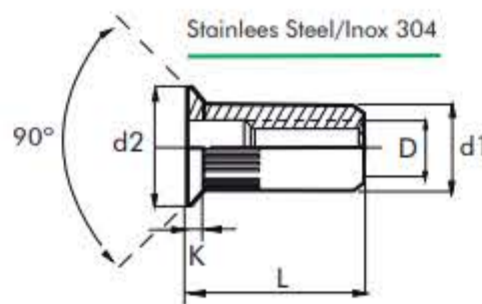
STAINLESS STEEL



| D | E MIN. mm MAX. | L Nominal mm | d1 Ø mm | d2 Ø mm | mm | PACKAGING | | (N) | (N) | (Nm) | REFERENCE |
|------|-------------------|-----------------|------------|------------|-------|-----------|-------|-------|--------|------|------------|
| | | | | | | Inner | Outer | | | | |
| M 3 | 0,25 - 2,0 | 9,75 | 4,90 | 6,00 | 5,10 | 500 | 4.000 | 2700 | 3100 | 2,3 | 0373203005 |
| | | | | | | | | | | | |
| M 4 | 0,5 - 2,0 | 10,50 | 5,90 | 7,00 | 6,10 | 500 | 4.000 | 4800 | 10300 | 5,5 | 0373204006 |
| | | | | | | | | | | | |
| M 5 | 0,5 - 3,0 | 12,00 | 6,90 | 8,00 | 7,10 | 500 | 4.000 | 7300 | 14300 | 8,6 | 0373205007 |
| | | | | | | | | | | | |
| M 6 | 0,5 - 3,0 | 14,50 | 8,90 | 10,00 | 9,10 | 500 | 3.000 | 9600 | 23700 | 14,7 | 0373206009 |
| | | | | | | | | | | | |
| M 8 | 0,5 - 3,0 | 16,50 | 10,90 | 12,00 | 11,10 | 250 | 1.500 | 11300 | 38600 | 20,0 | 0373208011 |
| | | | | | | | | | | | |
| M 10 | 1,0 - 3,5 | 19,00 | 12,90 | 14,20 | 13,10 | 150 | 900 | 13400 | >49000 | 27,5 | 0373201013 |
| | | | | | | | | | | | |

STAINLESS STEEL

GROOVED INSERT NUT Countersunk head - open end



| D | E MIN. mm MAX. | L Nominal mm | d1 Ø mm | d2 Ø mm | K mm | mm | PACKAGING | | (N) | (N) | (Nm) | REFERENCE |
|-----|-------------------|-----------------|------------|------------|---------|-------|-----------|-------|-------|-------|------|------------|
| | | | | | | | Inner | Outer | | | | |
| M 4 | 1,5 - 3,0 | 12,00 | 5,90 | 9,00 | 1,50 | 6,10 | 500 | 4.000 | 4900 | 9100 | 6,4 | 0373304006 |
| | | | | | | | | | | | | |
| M 5 | 1,5 - 4,0 | 13,00 | 6,90 | 9,60 | 1,50 | 7,10 | 500 | 4.000 | 6800 | 12800 | 8,4 | 0373305007 |
| | | | | | | | | | | | | |
| M 6 | 1,5 - 4,0 | 16,00 | 8,90 | 12,00 | 1,50 | 9,10 | 250 | 2.000 | 9000 | 21600 | 26,7 | 0373306009 |
| | | | | | | | | | | | | |
| M 8 | 1,5 - 4,0 | 18,50 | 10,90 | 13,50 | 1,50 | 11,10 | 250 | 1.500 | 12350 | 36300 | 34,5 | 0373308011 |
| | | | | | | | | | | | | |

