



# V7 Draw Latch

Over-center · Zinc alloy

- Sleek, smooth low profile design
- Locking and non-locking
- Robust, riveted, tamper-resistant construction

## Material and Finish

Zinc alloy, chrome plated or powder coated and stainless steel

## Performance Details

Maximum working load:  
1200 N (270 lbf)

## Installation Notes

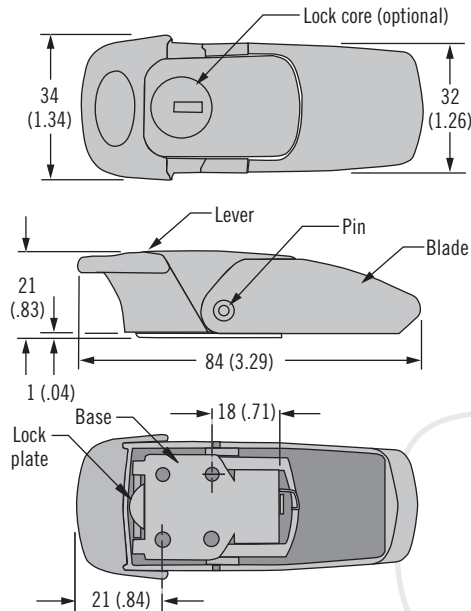
Install latch with four M3 (No.4) flat head screws and keeper with two M3 (No.4) round head screws (not supplied)

## Keys

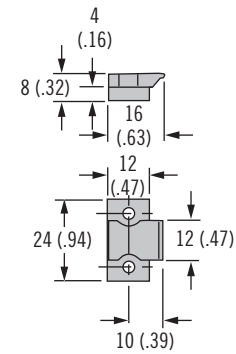
Key code S010 (pair)  
Part number: V7-KEYS

## Latch

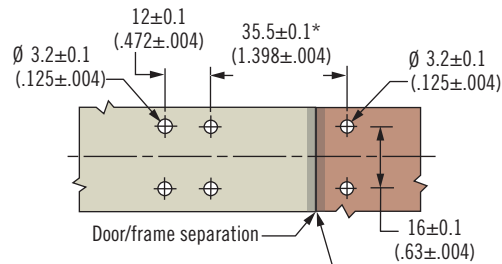
### Large



## Keeper



ACTUAL SIZE



\*Gasket recommended to accommodate panel variations

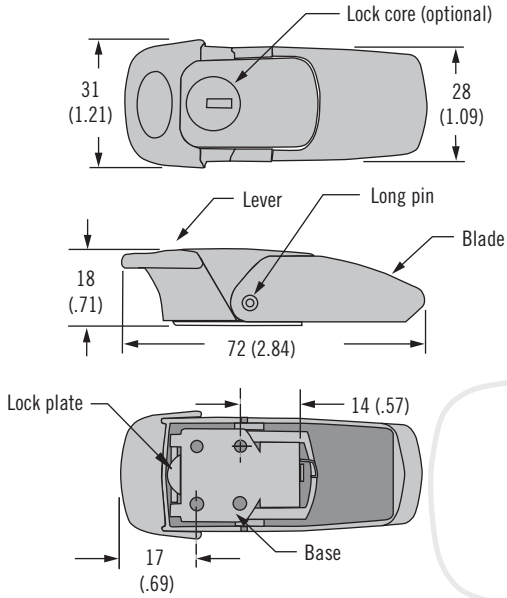
## Part Number

See table

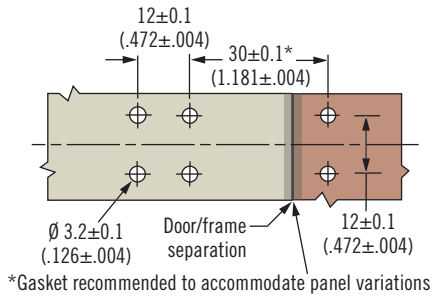
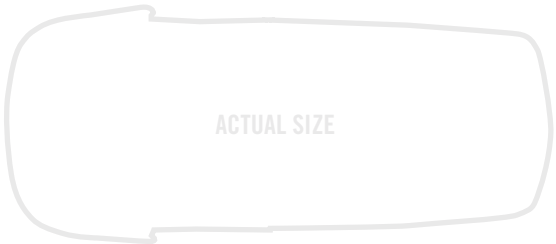
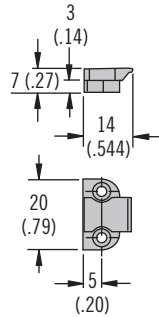
Assembly complete with keeper

Description	Part Number		
	Bright Chrome	Satin Chrome	Black Powder Coated
Large, non-locking	V7-20-101-10	V7-20-101-20	V7-20-101-50
Large, locking (2 keys supplied)	V7-20-111-10	V7-20-111-20	V7-20-111-50

**Latch**  
Small



**Keeper**



Description	Part Number		
	Bright Chrome	Satin Chrome	Black Powder Coated
Small, non-locking	V7-10-105-10	V7-10-105-20	V7-10-105-50
Small, locking (2 keys supplied)	V7-10-115-10	V7-10-115-20	V7-10-115-50

**Part Number**

See table

Assembly complete with keeper