



# NY NYLATCH Panel Fastener

Push / pull style

- Simple reusable panel fastener
- Multiple styles and sizes
- Non-conductive and non-corrosive materials

## Material and Finish

Grommet: Polycarbonate, black or white, or polysulfone, black

Plunger: Nylon, black or white, or polyester, black

## Performance Details

Ultimate shear load:

4.8 (3/16): 200 N (45 lbf)

6.4 (1/4): 330 N (75 lbf)

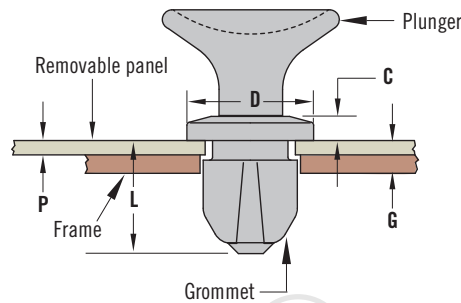
7.9 (5/16): 667 N (150 lbf)

Max. operating temperature:

85°C (185°F)

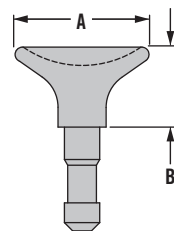
Flammability rating:

See part number selection

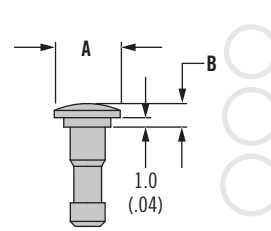


Head Style	Plunger Size					
	4.8 (3/16)		6.4 (1/4)		7.9 (5/16)	
Code	A	B	A	B	A	B
Easy Grip	12.7 (.50)	8.1 (.32)	14.4 (.57)	8.6 (.34)	16.0 (.63)	9.6 (.38)
Low Profile	6.6 (.26)	2.5 (.10)	7.1 (.28)	2.5 (.10)	7.6 (.30)	2.8 (.11)
Mini Grip	6.3 (.25)	6.6 (.26)	8.1 (.32)	7.1 (.28)	9.6 (.38)	7.6 (.30)

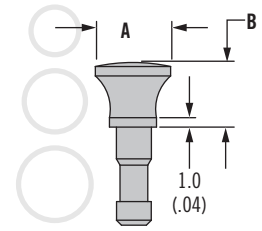
### [H] Easy Grip



### [H] Low Profile



### [H] Mini Grip



ACTUAL SIZE

ACTUAL SIZE

## 3/16" Sizes $\varnothing$ 4.8 (.188) ACTUAL SIZE

Sheet Capacity		Dimensions			Length Number	
G Range	P Max.	C Max.	L Max.	$\varnothing$ D	[G] Grommet	[L] Plunger
1.4 - 3.9 (.056 - .153)	1.0 (.042)	1.6 (.065)	8.4 (.330)	6.5 (.255)	-31	-32
2.0 - 4.5 (.079 - .176)	1.6 (.065)	1.3 (.050)	8.8 (.346)		-32	-32
2.8 - 5.3 (.112 - .209)	2.5 (.098)		9.9 (.390)		-33	-33
3.9 - 6.3 (.152 - .249)	3.5 (.138)		10.9 (.430)		-34	-34

## 1/4" Sizes $\varnothing$ 6.4 (.250)

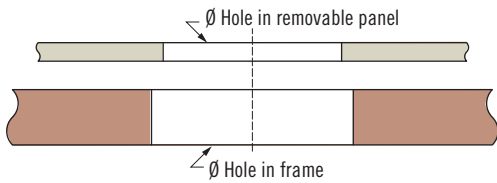
Sheet Capacity		Dimensions			Length Number	
G Range	P Max.	C Max.	L Max.	$\varnothing$ D	[G] Grommet	[L] Plunger
1.5 - 3.8 (.059 - .148)	1.0 (.042)	2.0 (.079)	9.4 (.371)	8.5 (.336)	-41	-42
2.1 - 4.4 (.084 - .173)	1.6 (.065)	1.6 (.064)	9.8 (.386)		-42	-42
3.0 - 5.3 (.118 - .207)	2.5 (.098)		10.9 (.430)		-43	-43
4.6 - 6.9 (.182 - .271)	4.1 (.162)		12.5 (.494)		-44	-44

## 5/16" Sizes $\varnothing$ 7.9 (.313)

Sheet Capacity		Dimensions			Length Number	
G Range	P Max.	C Max.	L Max.	$\varnothing$ D	[G] Grommet	[L] Plunger
1.5 - 3.8 (.059 - .148)	1.0 (.042)	2.4 (.095)	9.4 (.371)	10.7 (.420)	-51	-52
2.1 - 4.4 (.084 - .173)	1.6 (.065)	2.0 (.080)	9.8 (.386)		-52	-52
3.0 - 5.3 (.118 - .207)	2.5 (.098)		10.9 (.430)		-53	-53
4.6 - 6.9 (.182 - .271)	4.1 (.162)		12.5 (.494)		-54	-54
5.8 - 8.1 (.230 - .319)	5.3 (.210)		13.8 (.542)		-55	-55

# NY NYLATCH Panel Fastener

## Push / pull style



Size	Ø Removable Panel Hole	Ø Frame Hole
4.8 (3/16)	4.57 - 4.65 (.180 - .183)	4.8 - 4.88 (.189 - .192)
6.4 (1/4)	6.04 - 6.15 (.238 - .242)	6.35 - 6.45 (.250 - .254)
7.9 (5/16)	7.47 - 7.59 (.294 - .299)	8.1 - 8.2 (.319 - .323)

### Part Number Selection

Order grommet and plunger separately

Plunger and grommet size code must match

#### Grommet Part Number

**S** Size code

- 3 Ø 4.8 (.188)
- 4 Ø 6.4 (.250)
- 5 Ø 7.9 (.313)

**M** Material and finish

- 20 Polycarbonate (UL 94 V-2) black
- 10 Polycarbonate (UL 94 V-2) white
- 30 Polysulfone (UL 94 HB) black

NY - **S** **G** - **G** - **M**

**G** Grommet length

Grommet length number  
(See grommet and plunger tables on page 154)

#### Plunger Part Number

**S** Size code

- 3 Ø 4.8 (.188)
- 4 Ø 6.4 (.250)
- 5 Ø 7.9 (.313)

**M** Material and finish

- 50 Nylon (UL 94 V-2) black
- 51 Nylon (UL 94 V-2) white
- 60 Polyester (UL 94 V-0) black

NY - **S** **P** - **L** - **H** - **M**

**L** Plunger length

Plunger length number  
(See grommet and plunger tables on page 154)

**H** Head style

- 1 Easy grip
  - 3 Low profile
  - 4 Mini grip
- (Refer to the plunger length table for the head style availability)