



# H3 Swinghandle

Medium / large · Sealed / non-sealed

- Zinc alloy swinghandle system
- Multiple locking options; including DIN profile
- Indoor/outdoor version
- Available for medium (125mm x 25mm) and large (150mm x 25mm) door cutout

## Material and Finish

Handle: Zinc alloy, black powder coated or satin chrome plated

Cam: Steel, zinc plated

## Performance Details

Maximum static load: 250 N (56 lbf)

## Sealing Notes

Sealed version meets NEMA 4 / IP66 water intrusion standards

## Keys

See page 120 and 169-175

## Multi-Point Systems

See page 192

## Notes

\*For dimension details of DIN lock version, please contact Southco

Product available to meet *TELCORDIA*® GR-487; contact Southco for details

Electromechanical swinghandle available see page 40

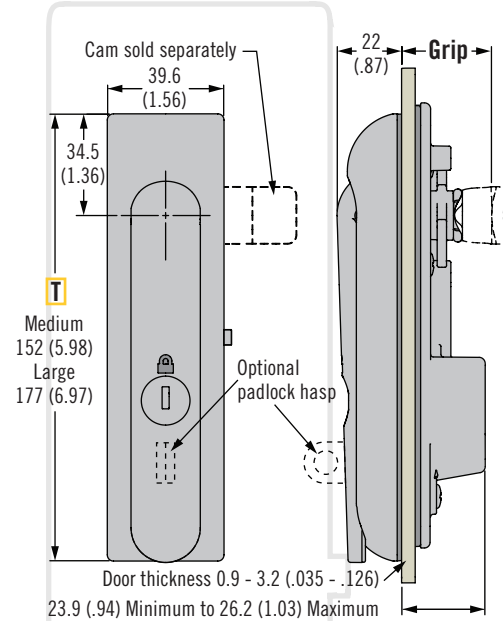
Key removal in lock position only for sealed version

For plastic version see page 228

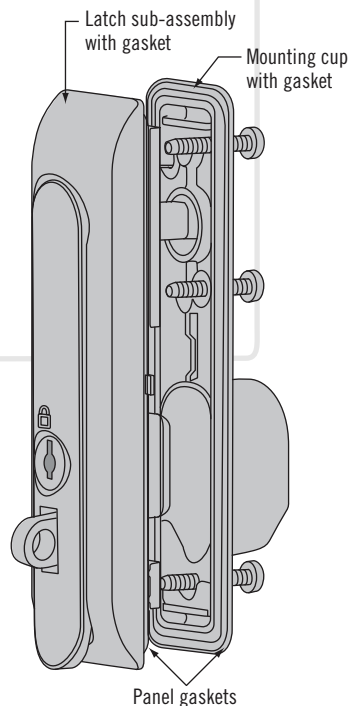
*TELCORDIA* is a registered trademark of Telcordia Technologies, Inc.

## Sealed (H3-50 medium shown)

(H3-60 large available part number selection)

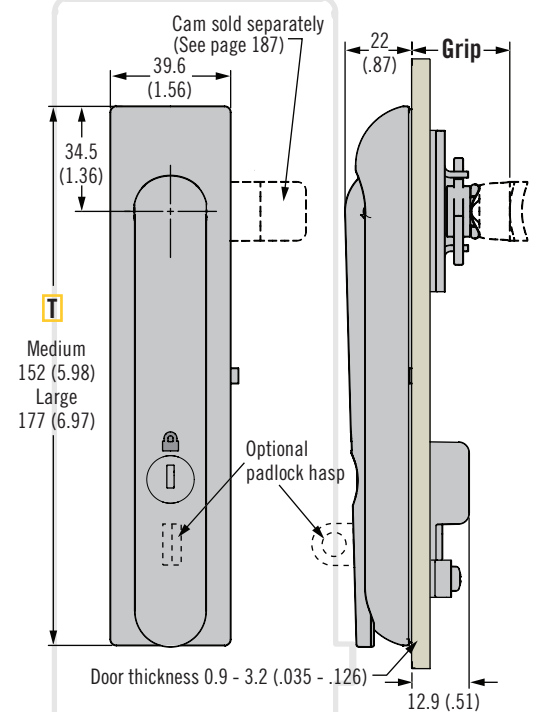


ACTUAL SIZE  
H3-50 MEDIUM

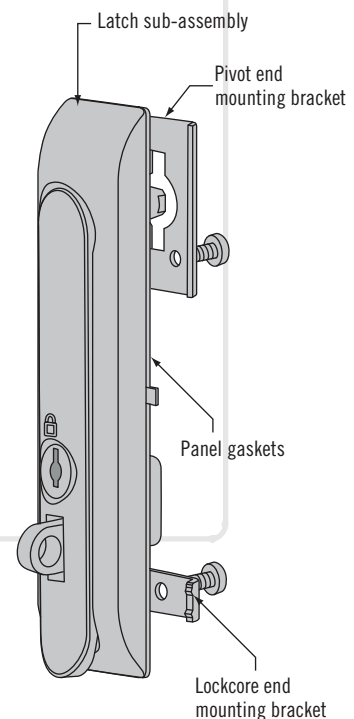


## Non-Sealed (H3-60 large shown)

(H3-50 medium available part number selection)

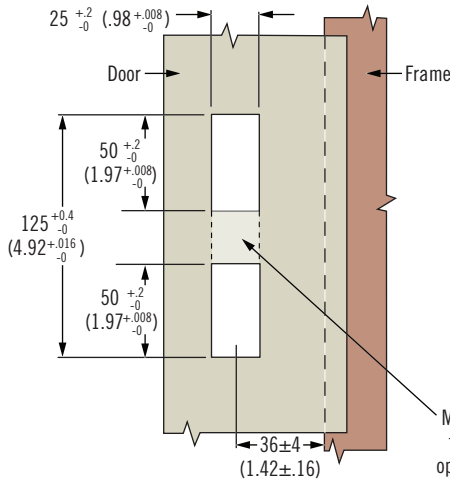


ACTUAL SIZE  
H30-60 LARGE

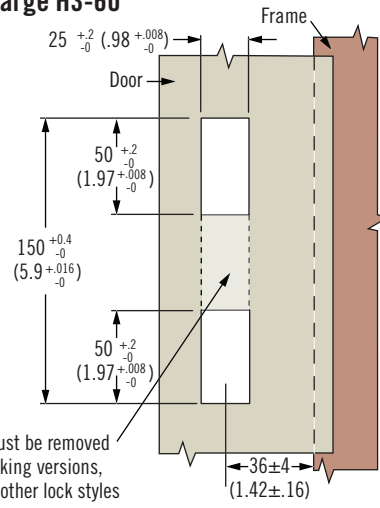


Dimensions in millimeters (inch) unless otherwise stated

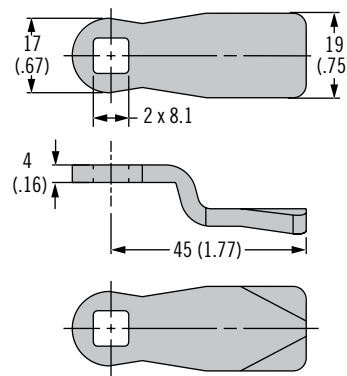
**Medium H3-50**



**Large H3-60**



Cam Part Number Table For Use As Single Point Or With Actuator Plate (order separately from latch)			
Grip	Part Number	Grip	Part Number
10.3 (.41)	E5-6107	26.3 (1.04)	E5-6115
12.3 (.48)	E5-6108	28.3 (1.11)	E5-6116
14.3 (.56)	E5-6109	30.3 (1.19)	E5-6117
16.3 (.64)	E5-6110	32.3 (1.27)	E5-6118
18.3 (.72)	E5-6111	34.3 (1.35)	E5-6119
20.3 (.80)	E5-6112	36.3 (1.43)	E5-6120
22.3 (.88)	E5-6113	38.3 (1.51)	E5-6121
24.3 (.96)	E5-6114	40.3 (1.59)	E5-6122



**Part Number Selection**

- For single point:  
Order latch and cam separately
- For multi-point:
- Order latch and cam separately
  - Order multi-point system accessories (linear actuator or actuator plate, rod, rod guide) if 3 point latching required see pages 224-232.

**Notes**

Actuator style **A** options 1 and 2 see pages 224-225  
\*2 Overmolded keys supplied

**Latch Part Number (no cam)**

- T** Size ←
- 50 Medium - 152 (5.98) height
  - 60 Large - 177 (6.97) height

- A** Actuator style ←
- No padlock hasp for use as single point or with actuator plate (see page 227)
  - With padlock hasp for use as single point or with actuator plate (see page 227)

- S** Sealing option ←
- 0 Non-sealed
  - 1 Sealed
- F** Finish ←
- 44 Satin chrome
  - 50 Black powder coated

- L** Lock style
- 00 Locking DIN profile (no lock supplied)
  - 01 Locking keyed alike CH751\*
  - 02 Locking keyed alike 300\*
  - 03 Locking keyed alike 333\*
  - 04 Non-locking
  - 05 Locking keyed alike HL450\*
  - 20 Non-locking with detent
  - 21 Locking DIN profile keyed alike CH751\*
  - 22 Locking DIN profile keyed alike 300\*
  - 23 Locking DIN profile keyed alike 333\*
  - 24 DIN without Lock Plug
  - 40 3 mm Double-bit
  - 41 5 mm Double-bit
  - 42 Bellcore 216
  - 43 Bellcore Hex-Pin Recess
  - 47 8 mm triangle
  - 70 DIN profile 3 mm Double-bit
  - 71 DIN profile 5 mm Double-bit
  - 72 DIN profile Bellcore 216
  - 73 DIN Profile Bellcore Hex-Pin Recess
  - 77 DIN profile 8 mm triangle

For linear actuator version (see pages 224-225)

