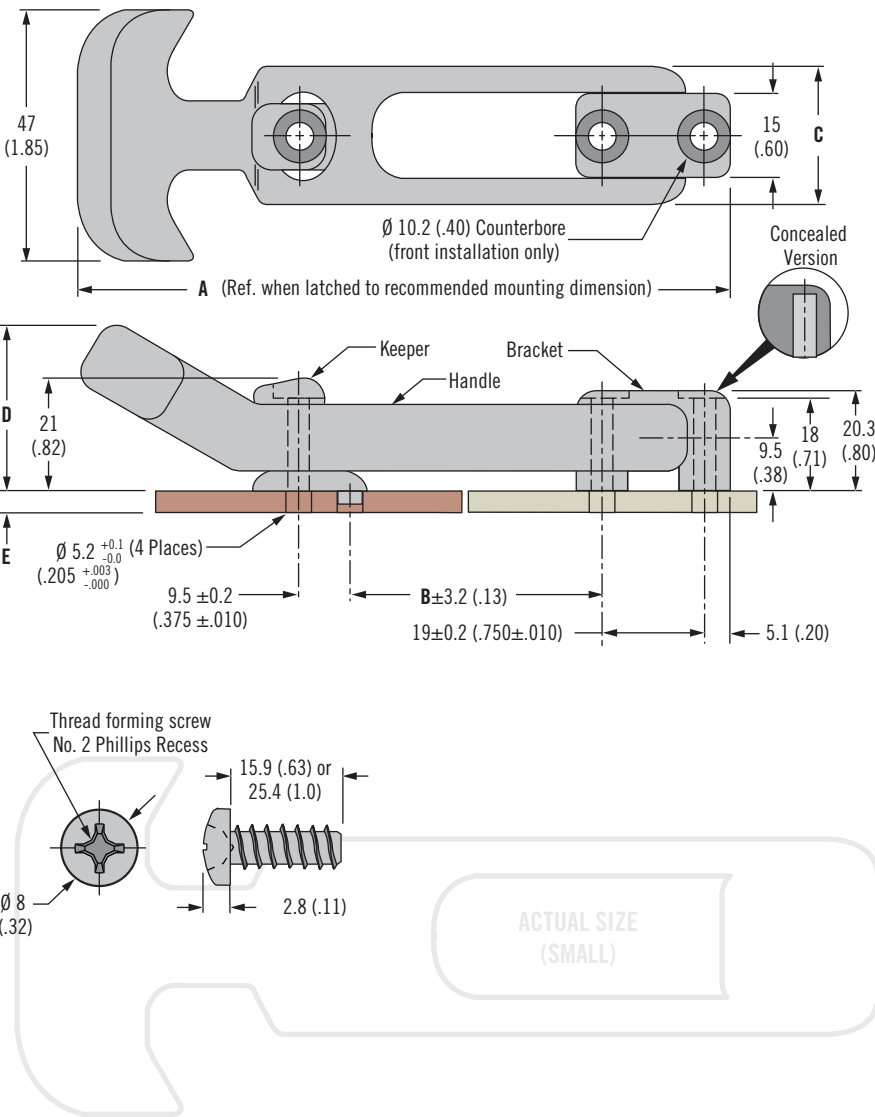


F7 Draw Latch

Flexible · Pull type



- Flexible one piece molded latch
- UV resistant
- Absorbs and reduces vibration

Material and Finish

Thermoplastic elastomer and glass-filled nylon, black
Screw: Stainless steel, passivated

Performance Details

Clamping force
Small: 58 N (13 lbf)
Medium: 84 N (19 lbf)
Large: 98 N (22 lbf)
Flammability rating: UL94-HB

Installation Notes

Concealed:
Install assembly with thread forming screws (order separately).
Maximum tightening torque 2.0 N·m (18 in·oz·lbf)
Front installation:
Install assembly with M5 (No. 10) screw or Ø 5 (3/16) rivet (not supplied)

Part Number				Installation Method	Dimensions				
Size	Latch	Keeper	Screws (3 per bag)		E	A	B	C	D
Small	F7-530	F7-537	~	Front	~	112 (4.81)	41 (1.6)	25.4 (1.00)	31 (1.23)
	F7-540	F7-547	F7-548-3	Concealed (thread forming)	up to 8.0 (.32)				
			F7-558-3	Concealed (thread forming)	8.1 - 17.5 (.32 - .69)				
Medium	F7-630	F7-537	~	Front	~	167 (6.6)	72 (2.83)	32 (1.25)	29 (1.13)
	F7-640	F7-547	F7-548-3	Concealed (thread forming)	up to 8.0 (.32)				
			F7-558-3	Concealed (thread forming)	8.1 - 17.5 (.32 - .69)				
Large	F7-730	F7-537	~	Front	~	221 (8.7)	117 (4.6)	32 (1.25)	29 (1.13)
	F7-740	F7-547	F7-548-3	Concealed (thread forming)	up to 8.0 (.32)				
			F7-558-3	Concealed (thread forming)	8.1 - 17.5 (.32 - .69)				

Part Number

See table
Order latch, keeper and screws (if required) separately