

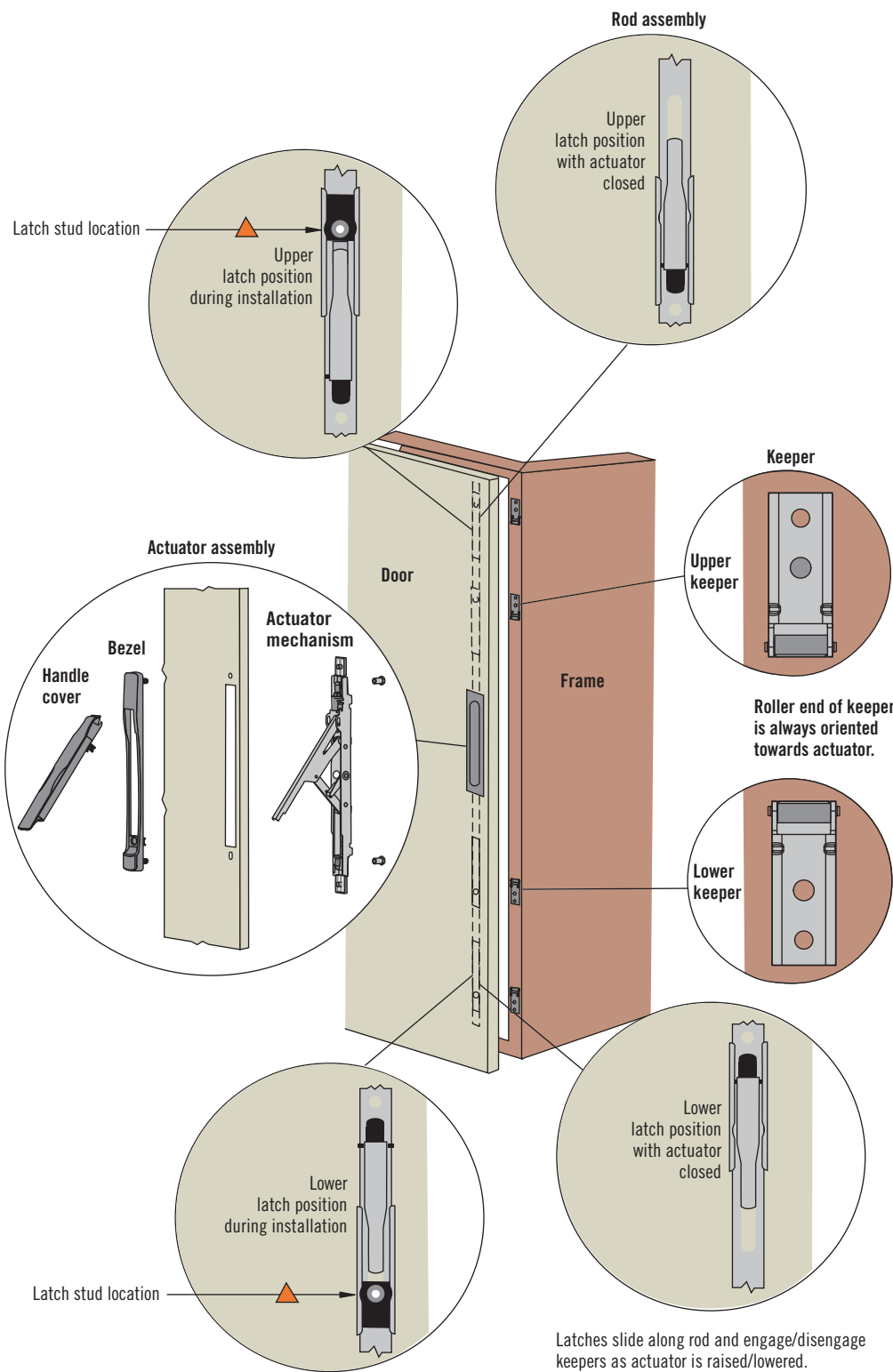
# F2 Compression System

## System integration

- Designed for indoor enclosures
- Operates outside the enclosure's seal
- Installs close to the door edge
- System engages when door is up to 15 mm (.59 in) away from the closed position

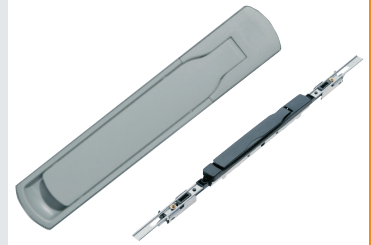
### Notes

One complete system consists of:  
 One actuator assembly (see page 221)  
 Two rod assemblies (see pages 222-223)  
 Keepers (quantity depends on no. of latches specified; see page 223)  
 Order each component separately

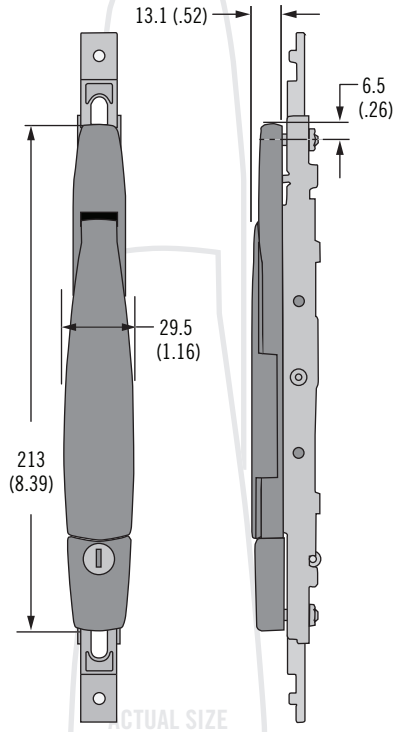


# F2 Compression System

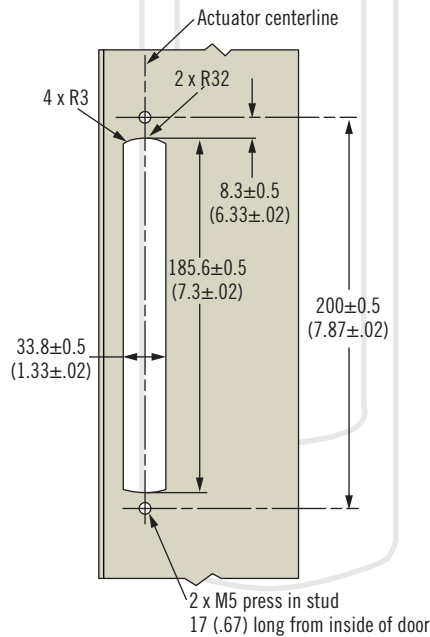
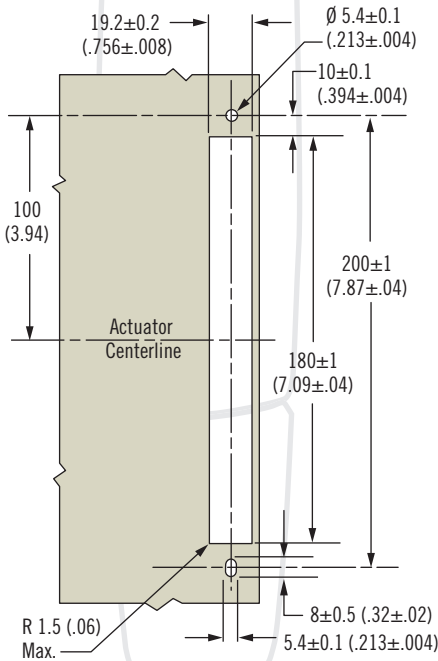
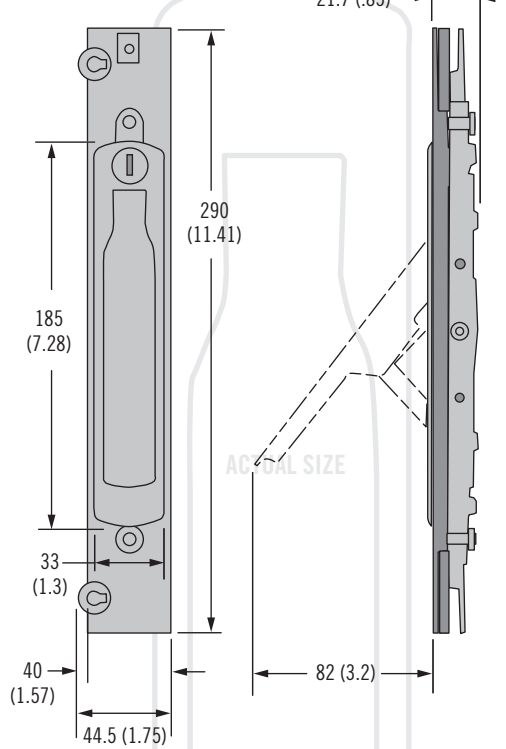
## Surface and flush actuators



### Surface Actuator



### Flush Actuator



- Designed for indoor enclosures
- Operates outside the enclosure's seal
- System engages when door is up to 15 mm (.59 in) away from the closed position

### Material and Finish

PC/ABS plastic, black  
Zinc alloy and steel, zinc plated

### Performance Details

Max. static load:  
100 N (22 lbf) per latch point  
500 N (112 lbf) for entire system  
Flammability rating:  
UL94-V0 for all plastic components

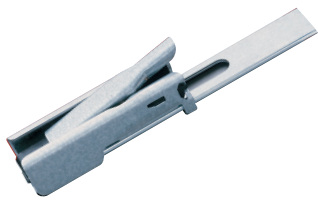
### Accessories

Flat key keyed alike CH751  
(2 keys per ring)  
Part number: PK-10-01  
Overmolded key keyed alike CH751  
(2 keys per ring)  
Part number: PK-10-01-05  
Plain key SC001 (2 keys per ring)  
Part number: FK-KEY-SC001

### Part Number

Actuator only see table  
One complete system consists of:  
One actuator assembly  
(see page 221)  
Two rod assemblies  
(see pages 222-223)  
Keepers (quantity depends on no. of latches specified; see page 223)  
Order each component separately

Lock Style	Surface Actuator Part Number	Flush Actuator Part Number
Non-locking	F2-20-17	F2-20-12
Key-locking keyed alike SC001 (two keys supplied)	F2-20-18	F2-20-13
Key-locking keyed alike CH751 (two keys supplied)	F2-20-19	~



# F2 Compression System

## Rod assembly · High compression

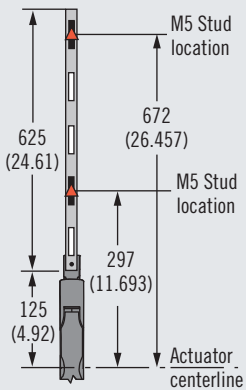
- Multiple lengths and latching point locations
- Latching mechanisms engage keepers when door is up to 15 mm (.59 in) away from the closed position

### Material and Finish

PC/ABS plastic black, zinc alloy and steel, zinc plated

### Installation Notes

Latch installation stud is not supplied. Use M5 press-in studs or non-flanged weld studs. Length is 6 (.24) to 10 (.39) Maximum, measured from inside surface of the door. Example: F2-10-625-25



Stud must be positioned within 0.2 (.008) of nominal

### Part Number

High compression rod assembly only see table

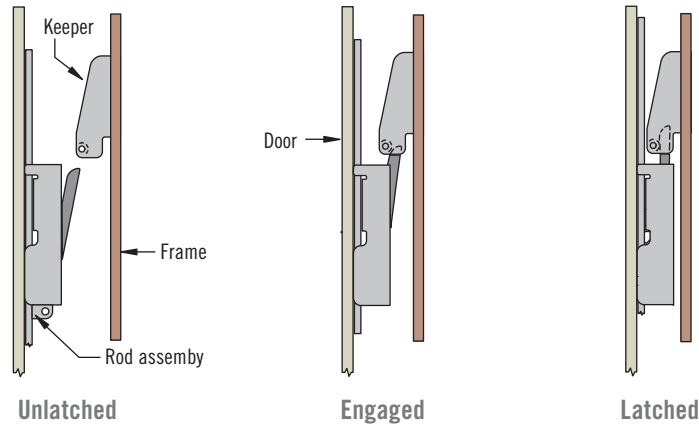
One complete system consists of:

One actuator assembly (see page 221)

Two rod assemblies (see pages 222-223)

Keepers (quantity depends on no. of latches specified; see page 223)

Order each component separately



Rod Length	Latch Installation Stud Locations from Centerline of Actuator	Part Number								
		F2-10-125-1	F2-10-250-2	F2-10-375-3	F2-10-375-13	F2-10-500-14	F2-10-625-25	F2-10-750-26	F2-10-750-36	F2-10-875-37
125 (4.92)	172 (6.772)									
250 (9.84)	297 (11.693)									
375 (14.76)	422 (16.614)									
500 (19.69)	547 (21.535)									
625 (24.61)	672 (26.457)									
750 (29.53)	797 (31.378)									
875 (34.45)	922 (36.299)									

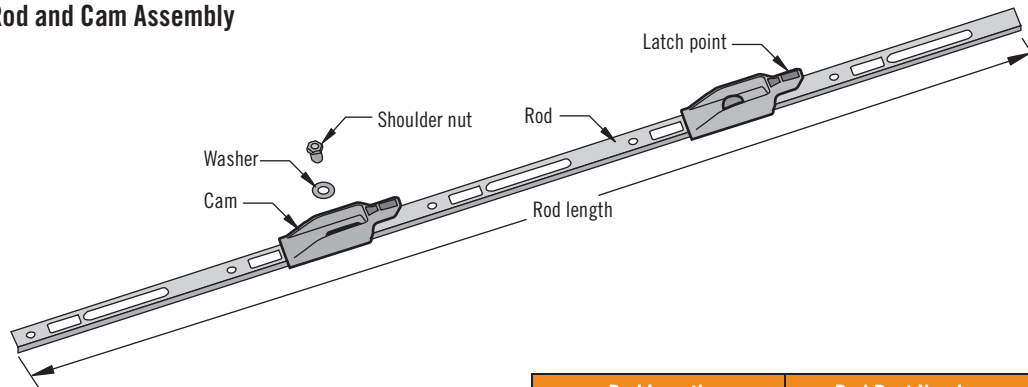


# F2 Compression System

## Rod assembly · Flexible



### Rod and Cam Assembly



Rod Length	Rod Part Number
125 (4.92)	F2-11-125-19
250 (9.84)	F2-11-250-19
375 (14.76)	F2-11-375-19
500 (19.69)	F2-11-500-19
625 (24.61)	F2-11-625-19
750 (29.53)	F2-11-750-19
875 (34.45)	F2-11-875-19

Cam Assembly Part Number	
Hardware pack assembly contains 1 x cam, washer and shoulder nut (order 1 hardware pack per latching point)	F2-50-1

- Flexible mounting options

### Material and Finish

Glass-filled nylon black, brass and steel, zinc plated

### Part Number

Rod and cam assembly only see table  
The complete system consists of:  
One actuator assembly (see page 221)  
Two rod assemblies (see pages 222-223)  
Keepers (quantity depends on no. of latches specified; see page 223)  
Order each component separately

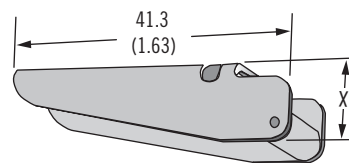
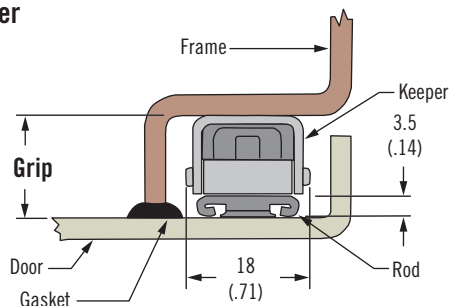
[www.southco.com/F2](http://www.southco.com/F2)

# F2 Compression System

## Keeper



### Keeper



- Keeper roller provides for smooth operation

### Notes

Order one keeper per latching point

### Part Number

Keeper only see table  
One complete system consists of:  
One actuator assembly (see page 221)  
Two rod assemblies (see pages 222-223)  
Keepers (quantity depends on no. of latches specified; see page 223)  
Order each component separately

Grip	Part Number	X	Rod System Compatibility	
			High Compression	Flexible
15 (.59)	F2-30-15	11.5 (.45)	<input type="checkbox"/>	~
19 (.75)	F2-30-19	15.5 (.61)	<input type="checkbox"/>	<input type="checkbox"/>
20 (.79)	F2-30-20	16.5 (.65)	<input type="checkbox"/>	<input type="checkbox"/>
22 (.87)	F2-30-22	18.5 (.73)	<input type="checkbox"/>	<input type="checkbox"/>
25 (.98)	F2-30-25	21.5 (.85)	<input type="checkbox"/>	<input type="checkbox"/>