



# G6 Hinge

Position control · Detent

- Holds doors open without secondary mechanical support
- Detent holds door at 120° and 170°
- Can be opened to 180°

## Material and Finish

Acetal and nylon, black

## Performance Details

Radial load:

Maximum static load: 130 N (30 lbf)

Average ultimate load:

970 N (220 lbf)

Axial load:

Maximum static load: 130 N (30 lbf)

Average ultimate load:

1450 N (325 lbf)

Cycle life: 10,000 cycles

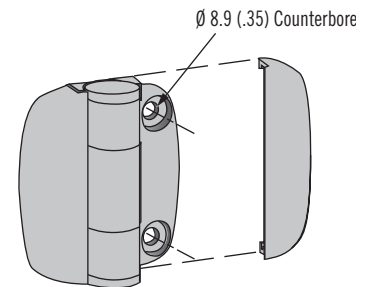
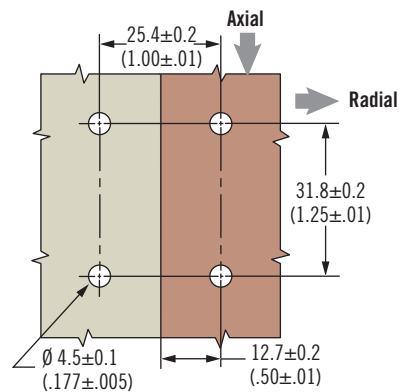
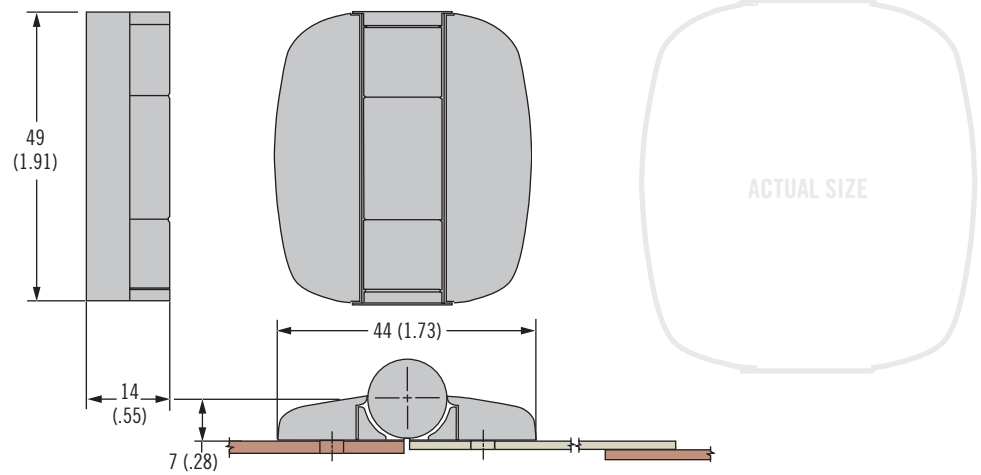
Operating temperature range:

-20 °C (0° F) to 80° C (180° F)

## Installation Notes

Screws not supplied

Hinge designed to accommodate M4 (No. 8) size Pan Head mounting hardware.



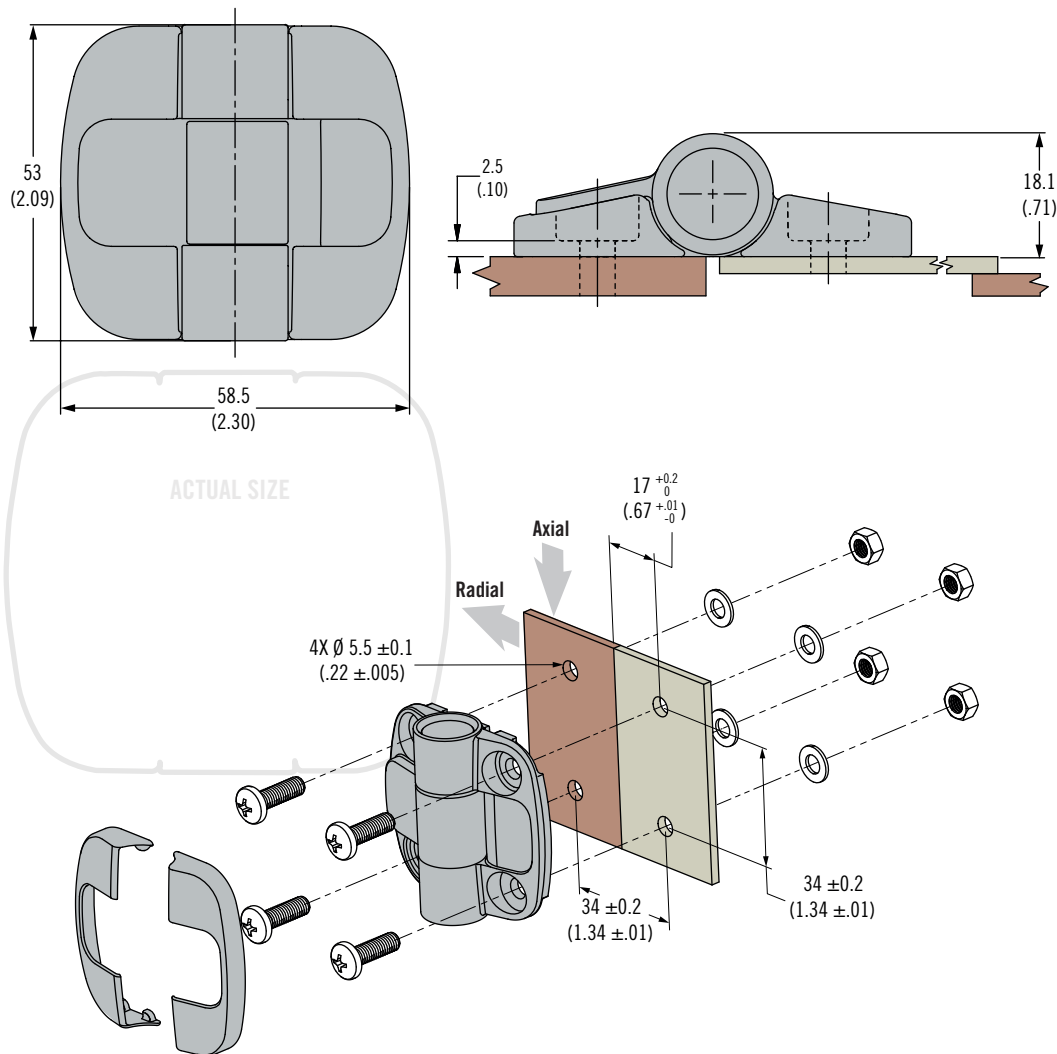
## Part Number

See table

| Part Number | Detent Angle                      | Positioning Torque     |
|-------------|-----------------------------------|------------------------|
| G6-0-1      | <p>Free swinging (no detents)</p> | ~                      |
| G6-5-1      |                                   | 1.1 N·m<br>(10 in·lbf) |

# C6 Hinge

Position control · Detent



- Holds doors open without secondary mechanical support
- Detents holds door at 80°, 115° or 150°
- All versions can be further opened to 180°

### Material and Finish

Acetal, black or white  
Internal components:  
Stainless steel

### Performance Details

Radial load:

Maximum static load:

450 N (100 lbf)

Average ultimate load:

2600 N (575 lbf)

Axial load:

Maximum static load:

450 N (100 lbf)

Average ultimate load:

1800 N (400 lbf)

Cycle life: Up to 20,000

Operating temperature range:

-40°C (-40°F) to 80°C (180°F)

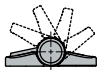
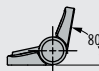
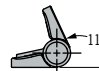
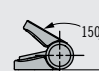
### Installation Notes

Mounting hardware not supplied.

Designed to accommodate M5 (No. 10) mounting hardware with a maximum head diameter of 10.1 (.40) and a maximum head height of 3 (.12).

### Part Number

See table

| Type   | Positioning Torque<br>N·m (in·lbf) | Part Number |          |
|--|------------------------------------|-------------|----------|
|  |                                    | Black       | White    |
|  No Detents | Free operating                     | C6-220      | C6-220-1 |
|  80 Degree  | 0.7 (6)                            | C6-221      | C6-221-1 |
|  | 1.1 (10)                           | C6-222      | C6-222-1 |
|  | 1.7 (15)                           | C6-223      | C6-223-1 |
|  115 Degree | 0.7 (6)                            | C6-224      | C6-224-1 |
|  | 1.1 (10)                           | C6-225      | C6-225-1 |
|  | 1.7 (15)                           | C6-226      | C6-226-1 |
|  150 Degree | 0.7 (6)                            | C6-227      | C6-227-1 |
|  | 1.1 (10)                           | C6-228      | C6-228-1 |
|  | 1.7 (15)                           | C6-229      | C6-229-1 |