



C3 Push-to-Close Latch

Pull-to-open · Grabber catch · Snap-in

- Spring-loaded over-centre latching
- One assembly includes catch and keeper

Material and Finish

Housing: PC/ABS or glass-filled nylon

Keeper: Mineral filled nylon

Performance Details

Operating temperature range: -30°C (-20°F) to 60°C (140°F)

Flammability rating: UL94-HB

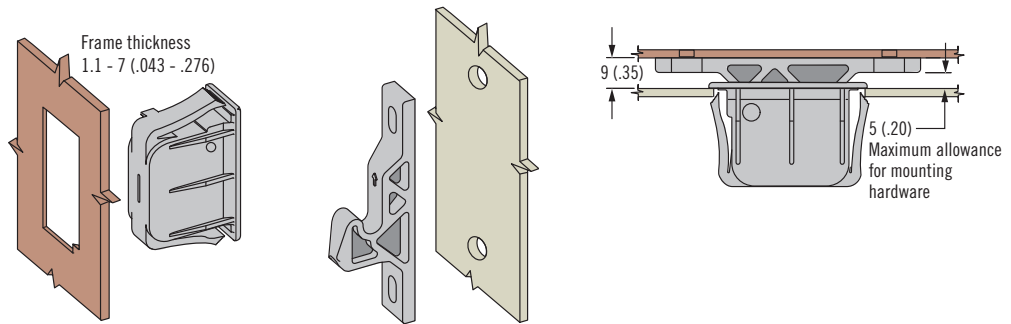
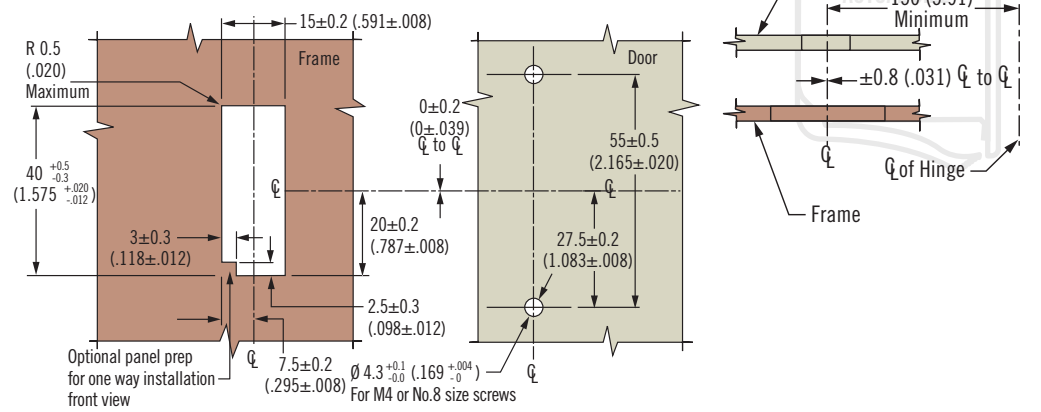
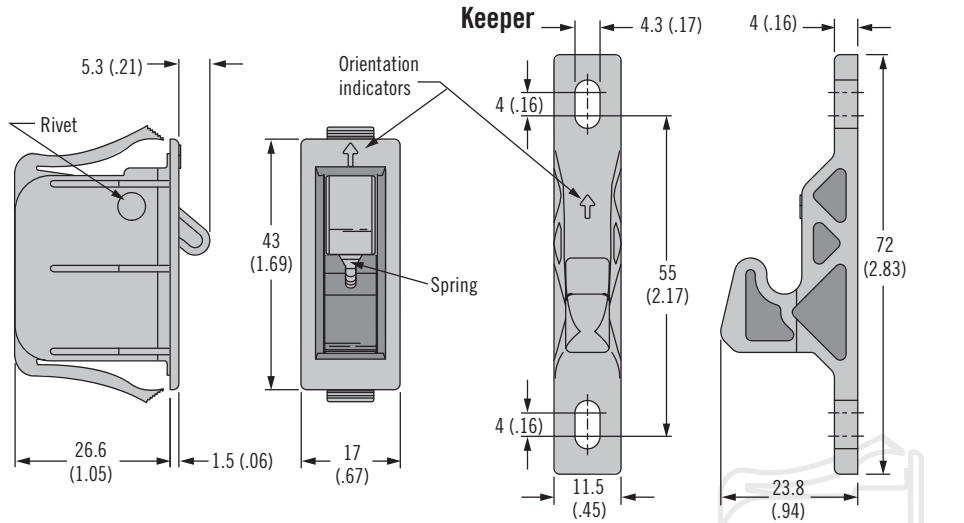
Installation Notes

Max. tightening torque on mounting screws (not supplied)

Keeper: 2.8 N·m (24.8 in·lbf)

Orient **keeper** to latch. The arrow on the keeper should point towards the cam. Mount to door and adjust for smooth latching

Catch



Part Number

See table

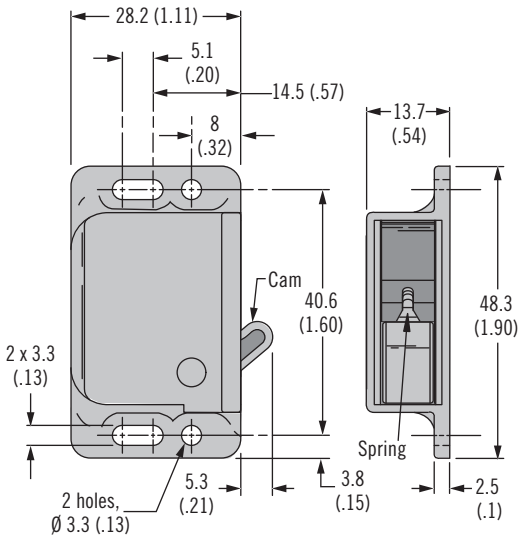
Approximate Pull-Up Force	Spring Color	Part Number		
		Frame Thickness Range		
		1.1 - 2.9 (.043 - .114)	2.9 - 5.3 (.114 - .209)	5.3 - 7 (.209 - .276)
13 N	Blue	C3-303	C3-503	C3-703
22 N	Silver	C3-305	C3-505	C3-705
44 N	Black	C3-310	C3-510	C3-710

C3 Push-to-Close Latch

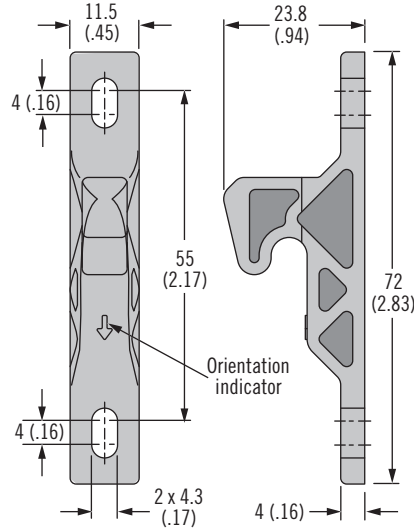
Pull-to-open · Grabber catch · Side mount



Catch

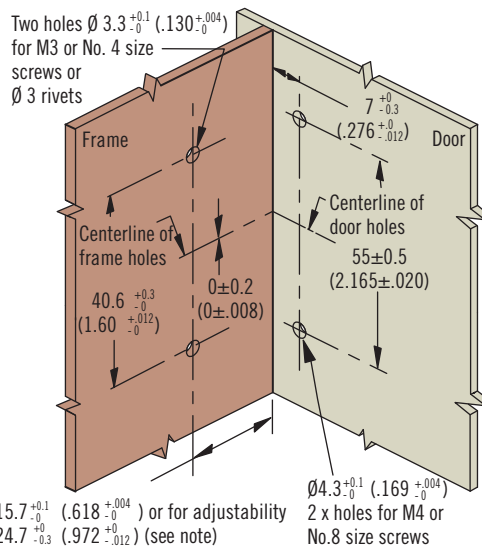
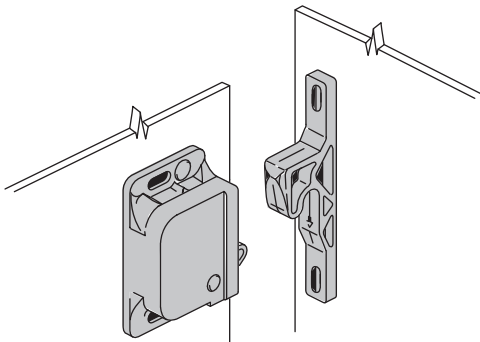


Keeper



Right Side Installation Shown

Invert catch and keeper for left side installation



Note: These holes and dimensions are used only if adjustability through the use of slotted holes in catch is desired.

- Spring-loaded over-center latching
- One assembly includes catch and keeper

Material and Finish

Housing: PC/ABS or glass-filled nylon

Keeper: Mineral filled nylon

Performance Details

Operating temperature range:

-30°C (-20°F) to 60°C (140°F)

Flammability rating: UL94-HB

Installation Notes

Max. tightening torque on mounting screws: (not supplied)

Catch: 1.1 N·m (9.7in·lbf)

Keeper: 2.8 N·m (24.8in·lbf)

Orient **keeper** to latch. The arrow on the keeper should point towards the cam. Mount to door and adjust for smooth latching.

Min. distance from frame (or surface on which catch sub-assembly is mounted) to centreline of door hinge is 150 (5.9)

Approximate Pull-Up Force	Spring Colour	Part Number
13 N	Blue	C3-803
22 N	Silver	C3-805
44 N	Black	C3-810

Part Number

See table



C3 Push-to-Close Latch

Pull-to-open · Grabber catch with integral Microswitch

- Opens and closes switch contacts with door operation
- One assembly includes catch and keeper
- Spring loaded over-centre latching

Material and Finish

Housing: PC/ABS or glass-filled nylon

Keeper: Mineral filled nylon

Performance Details

Operating temperature range:
-40°C (-40°F) to 60°C (140°F)

Flammability rating: UL94-V0

Installation Notes

Max. tightening torque on mounting screws (not supplied):

Catch 1.1 N·m (9.7 in·lbf)

Keeper 2.8 N·m (24.8 in·lbf)

Orient **keeper** to latch. The arrow on the keeper should point towards the cam. Mount to door and adjust for smooth latching.

Notes

This product is specifically designed to be used as a mechanical grabber catch with an electric switch. The switch is designed to operate an indicator light or form part of a non-safety related logic circuit. This is not designed for use as a safety interlock.

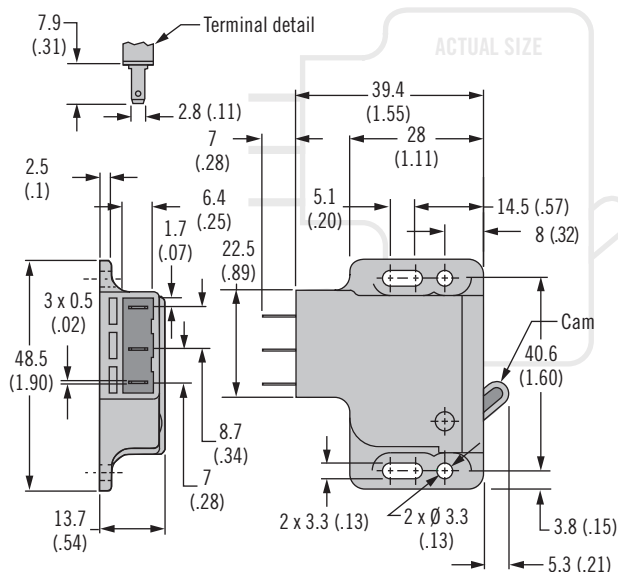
Terminal cover is used for protection during shipping only. Use strain relief on wires.

Min. distance from frame (or surface on which catch sub-assembly is mounted) to centreline of door hinge is 150 (5.9)

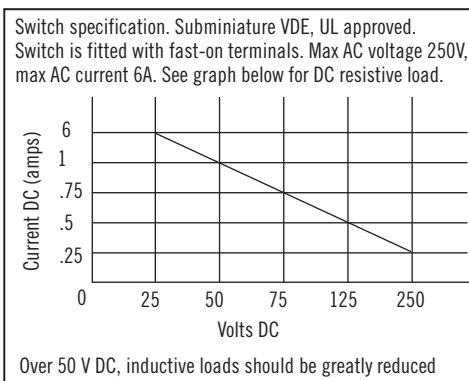
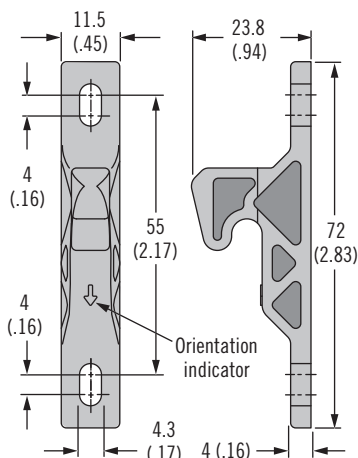
Part Number

See table

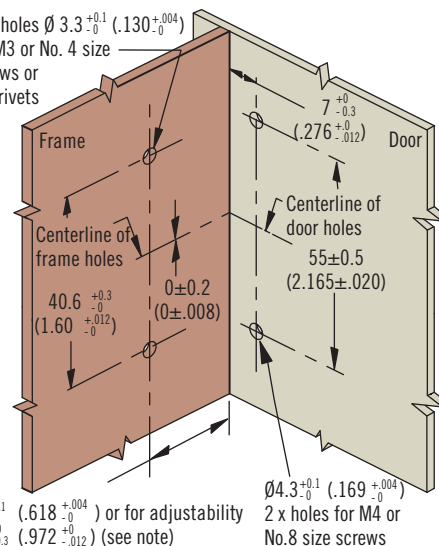
Catch



Keeper

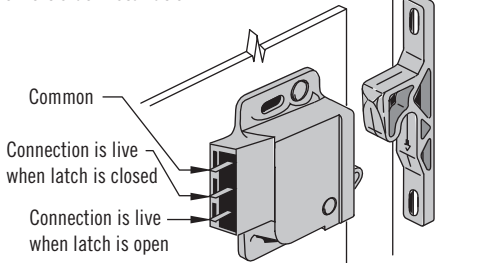


Two holes $\varnothing 3.3^{+0.1}_{-0} (.130^{+0.004})$ for M3 or No. 4 size screws or $\varnothing 3$ rivets



Right Side Installation Shown

Invert catch and keeper for left side installation



Note: These holes and dimensions are used only if adjustability through the use of slotted holes in catch is desired.

Approximate Pull-Up Force	Spring Colour	Part Number
13 N (3 lbf)	Blue	C3-1803
22 N (5 lbf)	Silver	C3-1805
44 N (10 lbf)	Black	C3-1810