



# B8 Grab Handle

## Large · Surface mount

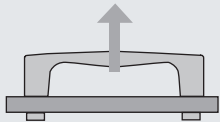
- Front or rear concealed installation
- Ergonomic, comfortable grip
- High strength, light-weight solution

### Material and Finish

Handle: ABS plastic, black  
Screws: Steel, zinc plated

### Performance Details

Maximum static load: 775 N  
(175 lbf)



Flammability rating: UL94-HB

Operating temperature range:  
-40°C (-40°F) to 60°C (140°F)

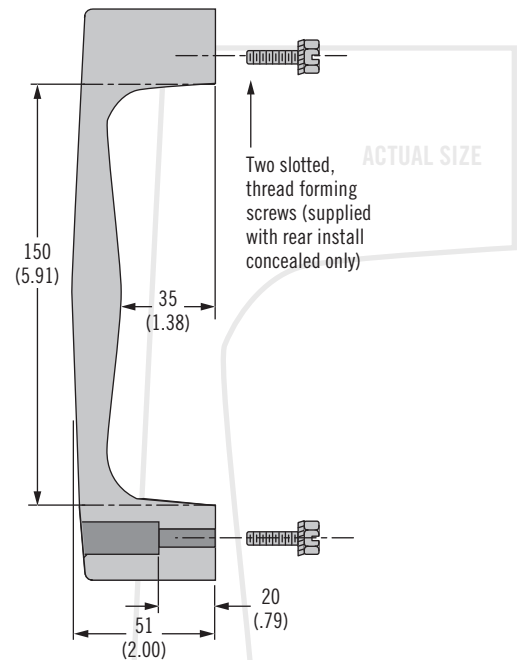
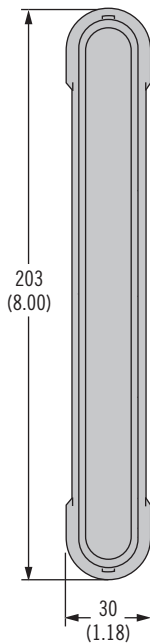
### Installation Notes

Maximum tightening torque of screws:

Rear install concealed only  
4.0 N·m (35 in·lbf)

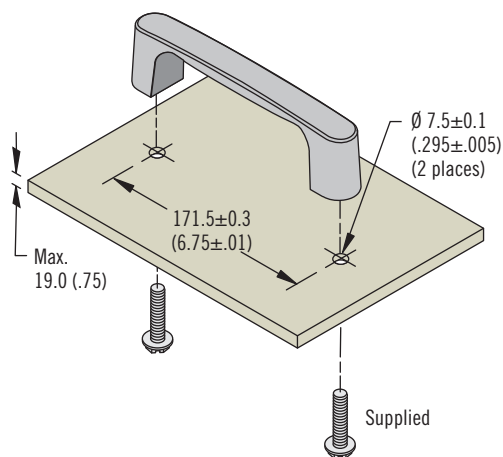
### Notes

Bulk packaged

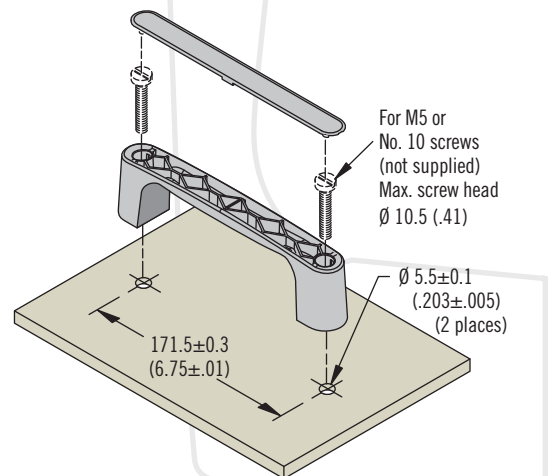


Part Number	
Rear Install Concealed	Front Install Concealed
B8-66-3	B8-63-3

### Rear Install Concealed

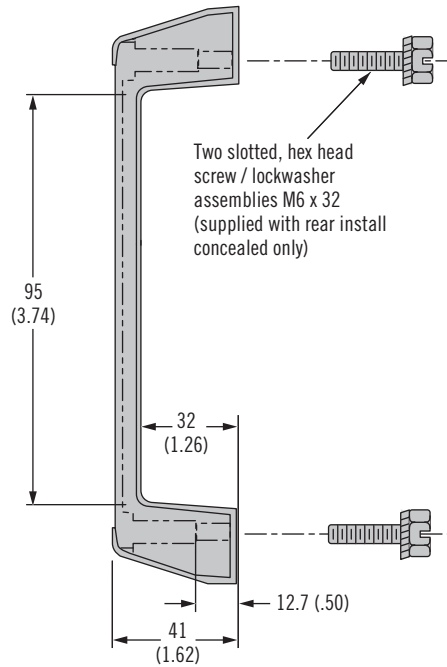
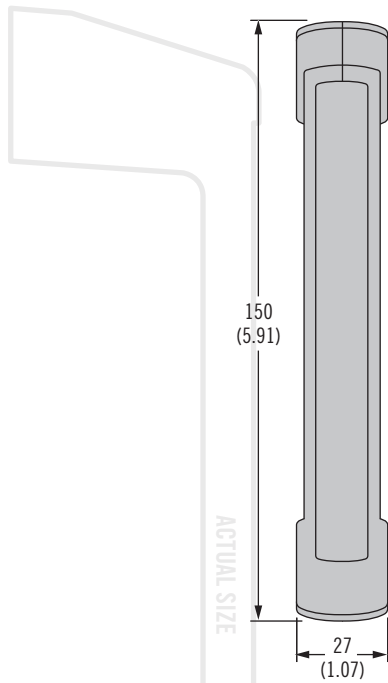


### Front Install Concealed



# B8 Grab Handle

Small · Surface mount



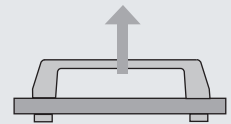
- Front or rear concealed installation
- Light-weight

### Material and Finish

Handle: ABS plastic, black  
Screws: Steel, zinc plated

### Performance Details

Maximum static load: 550 N (125 lbf)



Flammability rating: UL94-HB

Operating temperature range:  
-50°C (-60°F) to 60°C (140°F)

### Installation Notes

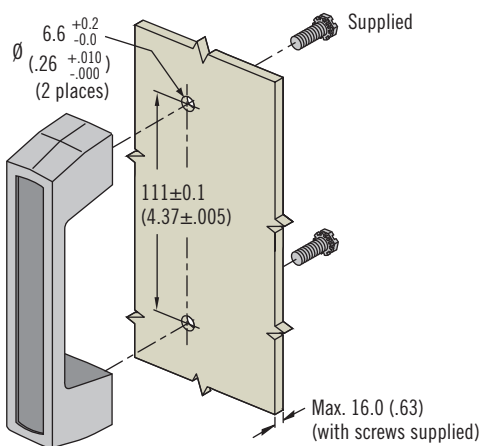
Rear install concealed:  
M6 x 32 screw assembly supplied.  
Maximum tightening torque of screws: 4.0 N·m (35 in·lbf).  
For door thickness greater than 16 (.63) calculate screw length using the following formula:  
Door thickness + 16 (.63)

### Notes

Bulk packaged

Part Number	
Rear Install Concealed	Front Install Concealed
B8-45-3	B8-43-3

### Rear Install Concealed



### Front Install Concealed

