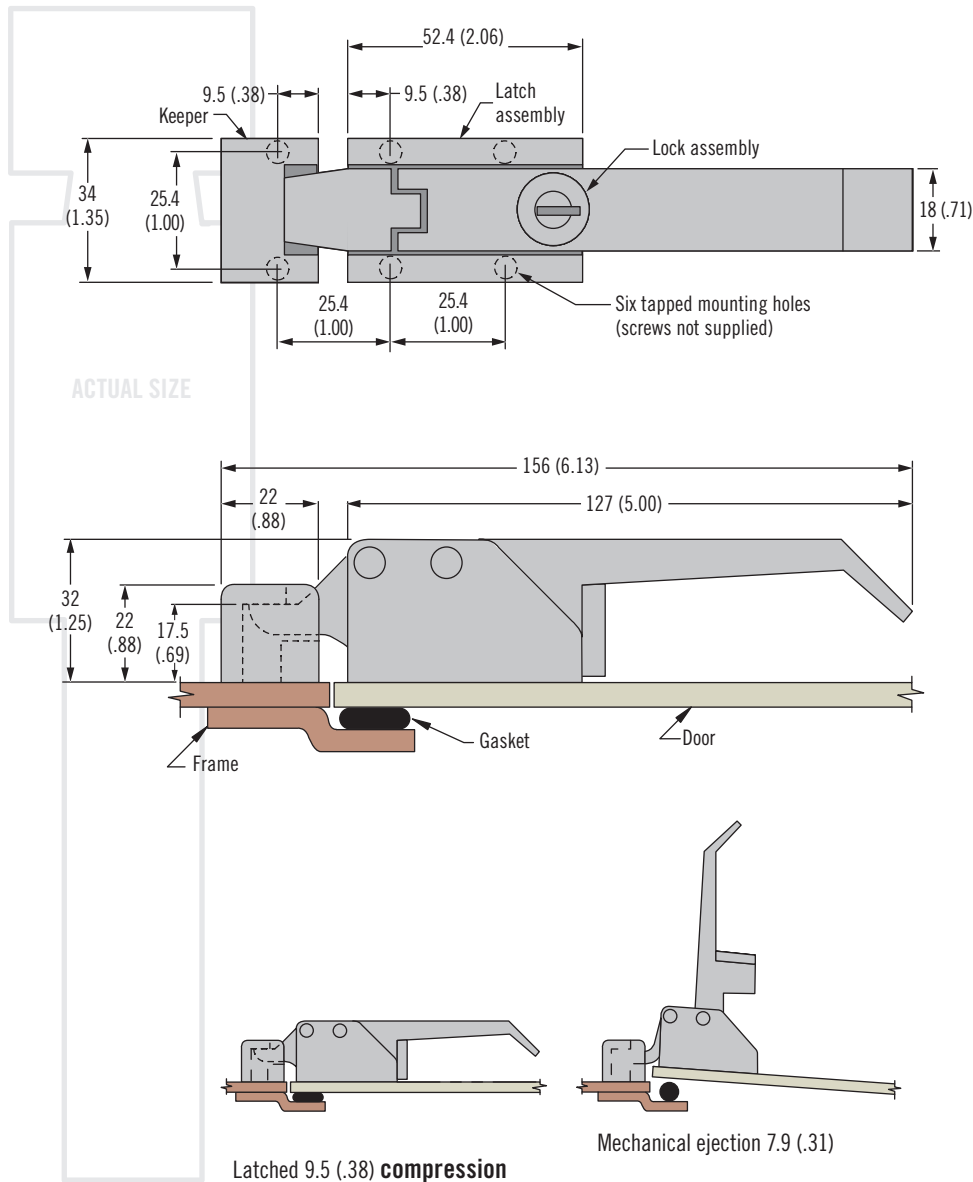
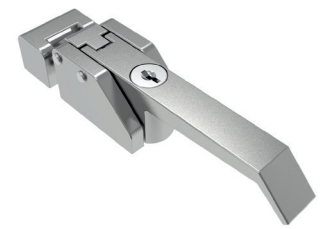


# A7 Compression Latch

## Lever latch · Over-center action



- Intuitive operation
- Built in leverage helps open stuck doors
- Consistent gasket compression



### Material and Finish

Zinc alloy, powder coated or chrome plated and steel, zinc plated

### Performance Details

Maximum static load:  
2200 N (500 lbf)

### Keys

PK-10-01  
See page 121

### Part Number Selection

See table

