



27 · 48 Compression Latches

Self-adjusting · Single hole mount

- Two sizes available
- Easy grip adjustment
- Multiple head styles

Material and Finish

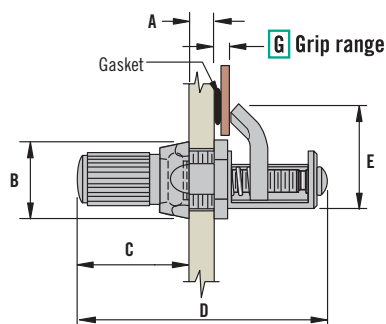
Steel, zinc plated or stainless steel

Performance Details

Maximum static load:

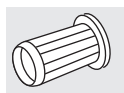
25 (Miniature series): 155 N (35 lbf)

48 (Small series): 220N (50 lbf)

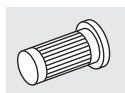


Size	A	B	C	D	E
27 Series Miniature	4.8 (.19) Maximum	10.3 (.41) Maximum	17.5 (.69) Maximum	31.8 (1.25)	13.9 (.55)
48 Series Small	4.8 (.19) Maximum	21 (.81) Maximum	19 (.75) Maximum	44 (1.73)	25.3 (.99)

Nylon knob



Knurled



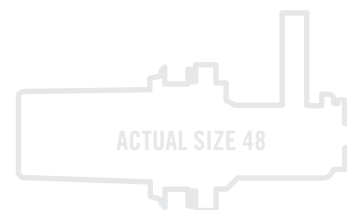
Slotted



Hex recess



Phillips recess



27 Series · Miniature

Material	G Grip Range		Knurled	Slotted	Hex Recess	Nylon Knob
	Minimum	Maximum				
Steel	0.8 (.03)	7.1 (.28)	27-99-123-10 *	27-10-501-10 *	27-10-701-10 *	27-10-311-10 *
Stainless steel	0.8 (.03)	7.1 (.28)	27-99-123-20 *	27-10-501-20 *	27-10-701-20 *	27-10-311-20 *

* all part numbers shown are for clockwise rotation. For specification and ordering details visit: www.southco.com

48 Series · Small

Material	G Grip Range		Nylon Knob	Slotted	Hex Recess	Phillips Recess
	Minimum	Maximum				
Steel	2.4 (.09)	9.5 (.38)	48-10-401-10	48-11-R	48-81-R	48-91-R
Steel	8.7 (.34)	15.9 (.63)	48-10-402-10	48-12-R	48-82-R	48-92-R
Steel	15.1 (.59)	22.2 (.88)	48-10-403-10	48-13-R	48-83-R	48-93-R

For specification and ordering details visit: www.southco.com