

CONCEALED HINGE

795



LH/RH

- For doors with a bend of 20 mm to fix profiles
- Frame part is screwed on ,door part is mounted by nut to welded stud on door.
- LH and RH application is possible

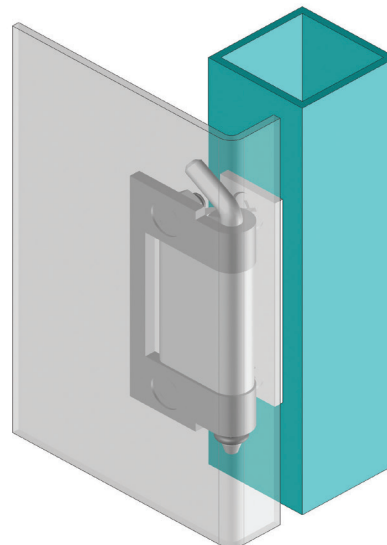
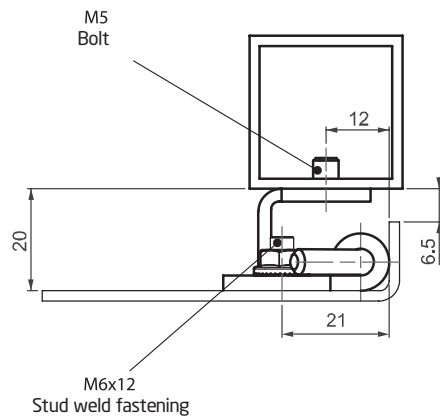
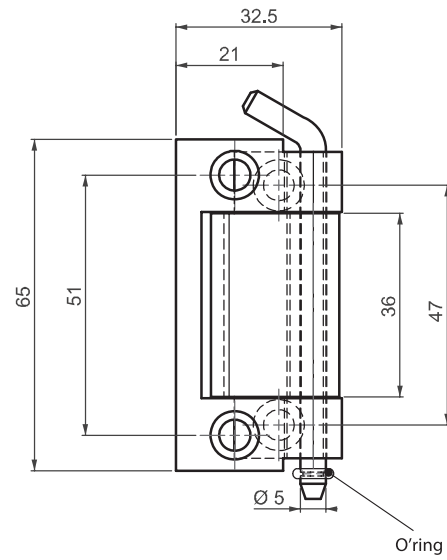
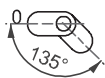
MATERIAL

BODY : Stainless Steel (AISI 304)

PIN : Stainless Steel (AISI 303)

⚠ Note: Bolts are not supplied

Hinge Rotation Angle



PRODUCT CODE

795 - 4 - 0

GROUP CODE MATERIAL FINISH