

LEAF HINGE

599



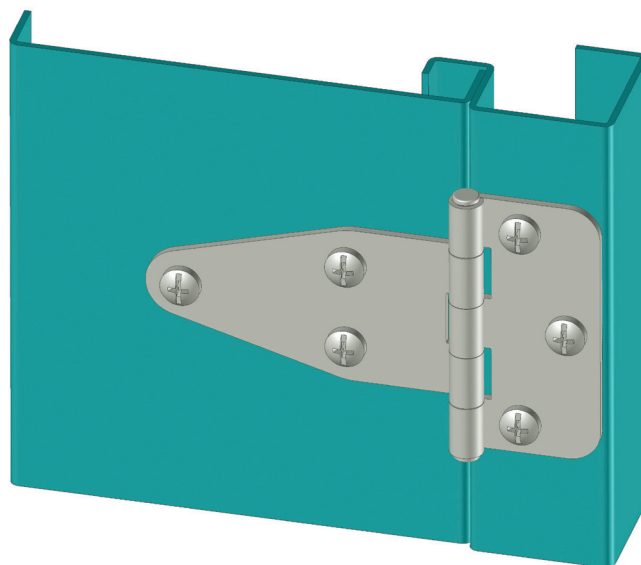
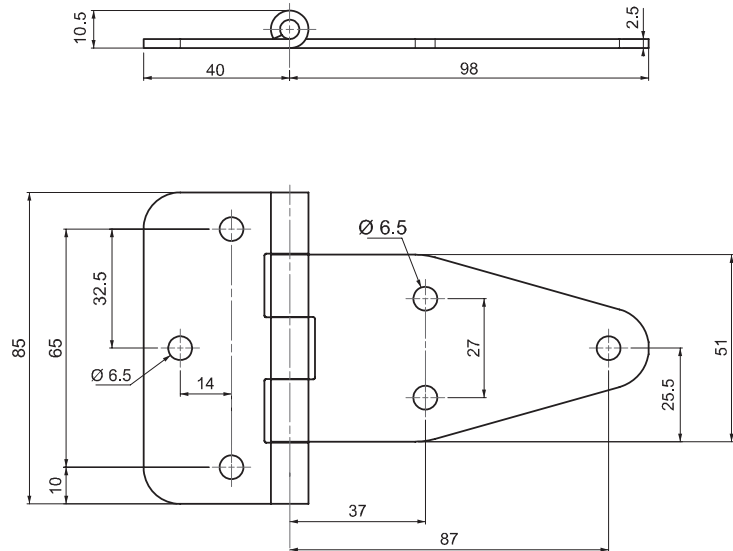
LH/RH

- Generally, used for plain / flush mounted, isolated, heavy doors.
- Both parts are attached by screws or nuts and bolts
- Hinge Rotation angle is 180°

**MATERIAL**

BODY : Stainless Steel (AISI 304)

PIN : Stainless Steel (AISI 303)



Hinge Rotation Angle



**PRODUCT CODE**

599 - 4 - 0

GROUP CODE MATERIAL FINISH