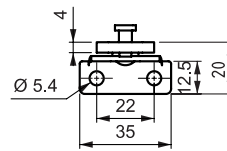
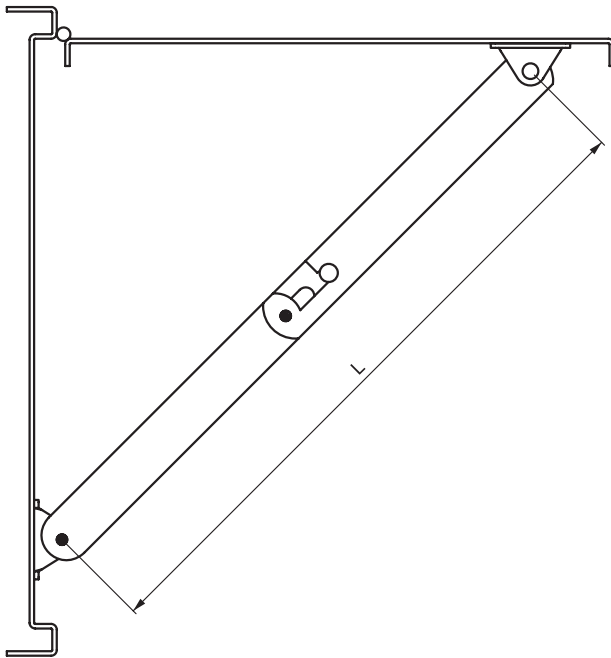
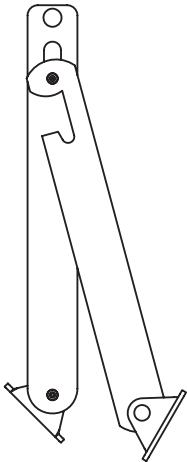


279

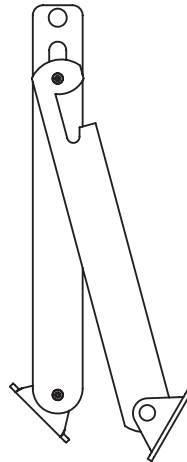
COVER STAY



RIGHT



LEFT


L mm

292

202

135



- Suitable for heavy duty applications.
- Manufacture using 4 mm thick steel

MATERIAL

Stainless Steel (AISI 304)

PRODUCT CODE
