
PRODUCT CODE

192 - 4 - 0
 GROUP CODE MATERIAL FINISH

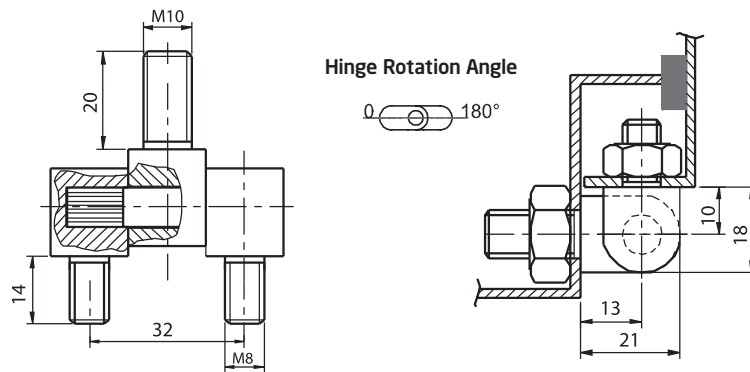
192
SIDE HINGE (12 mm)

LH/RH


- Side mounted hinge
- 12 mm parts and bearings are stainless steel. Parts are tightly fitted.

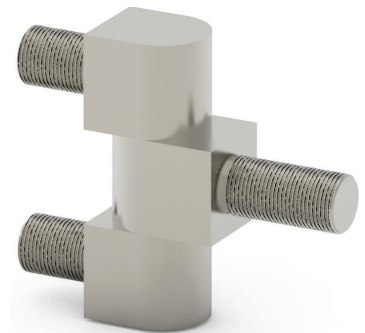
MATERIAL

Stainless Steel (AISI 303 / 304)


PRODUCT CODE

193 - 4 - 0
 GROUP CODE MATERIAL FINISH

193
SIDE HINGE (16 mm)

LH/RH


- Side mounted hinge
- 16 mm parts are stainless steel. Parts are tightly fitted.

MATERIAL

Stainless Steel (AISI 303 / 304)