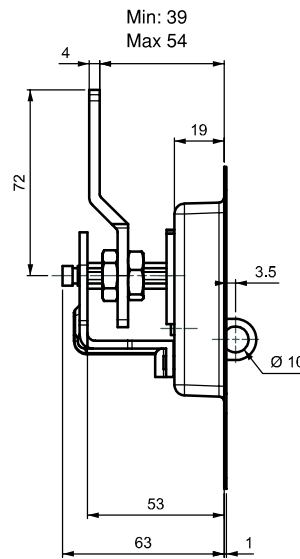
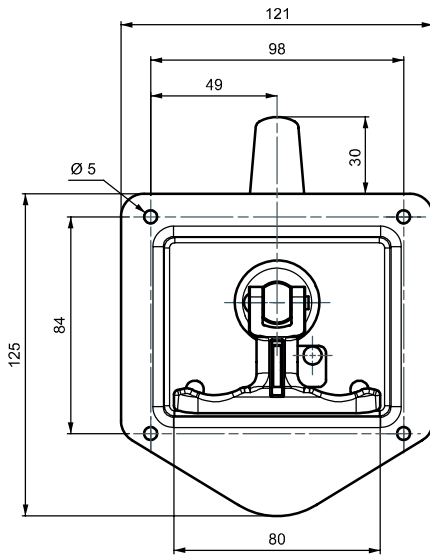


115

'T' HANDLE HEAVY DUTY LOCK



IP 54



LH/RH



- Suitable for special equipment cases .
- Adjustable cam provided different grip range.
- Maximum padlock shackle diameter 9 mm.

APPLICATIONS

Electricity stations, truck, meal cabinet

MATERIAL

BODY : Stainless Steel

HANDLE: Zamak DIN-EN 1774-ZnAl4Cu1

CAM : Steel

