

QUARTER TURN - 'T' HANDLE

110



New

IP 65



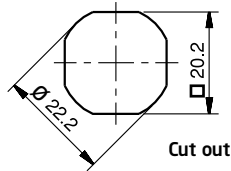
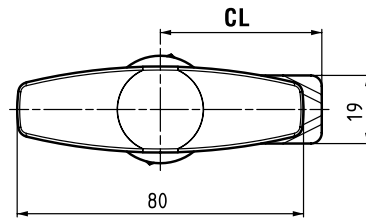
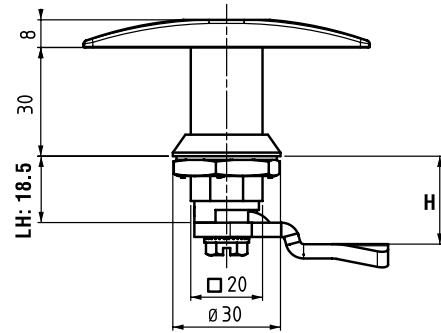
LH/RH

RoHS

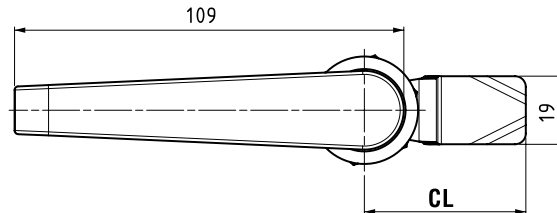
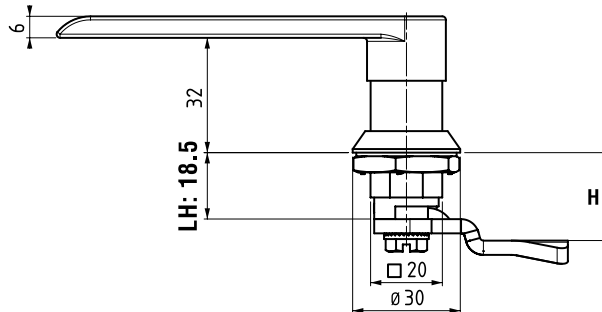
- Quarter turn operation.
- All in stainless steel

MATERIAL

- HOUSING : Stainless Steel (AISI 303)
- HANDLE : Stainless Steel (AISI 304)
- CAM : Stainless Steel (AISI 304)
- GASKET : Rubber



Cut out



QUARTER TURN - 'L' HANDLE

111



For cams please check page:: 154

PRODUCT CODE

