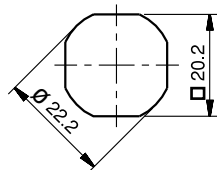
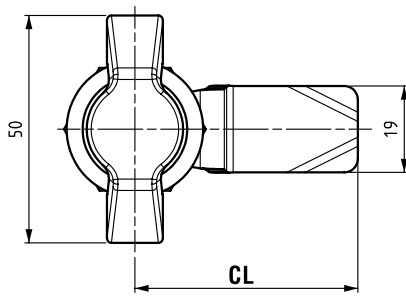
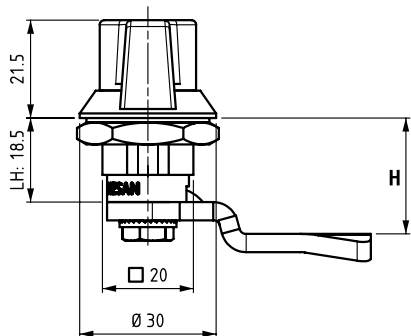


065
QUARTER TURN - WING KNOB


Cut out

New
IP 65

LH/RH
RoHS


- Quarter turn operation.
- All in stainless steel

MATERIAL

HOUSING : Stainless Steel (AISI 303)
 KNOB : Stainless Steel (AISI 304)
 CAM : Stainless Steel (AISI 304)
 GASKET : Rubber

PRODUCT CODE

065 - **4** - **0** - **00** - **CC**
 GROUP CODE MATERIAL FINISH CYLINDER CAM

For cams please check page:: 154