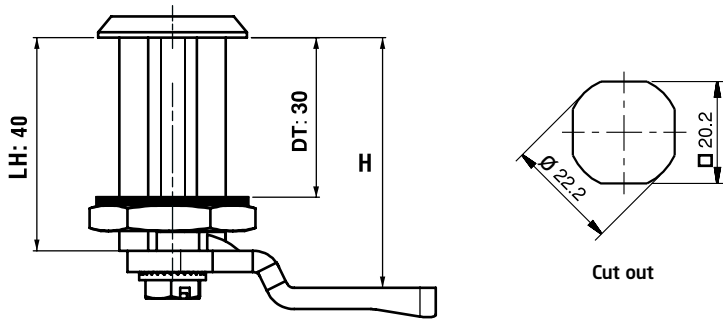
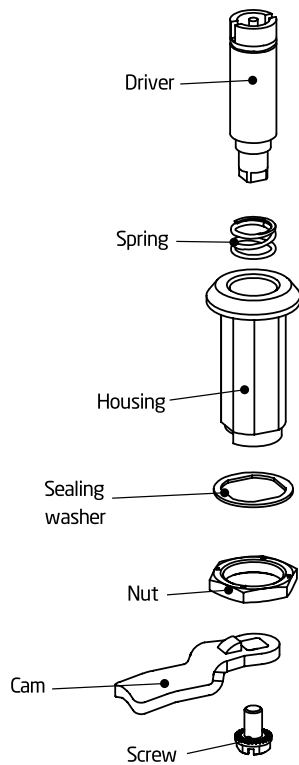


**064**

QUARTER TURN - SPRING LOADED



DT	LH
30	40
40	50
50	60


**IP 65**

**LH/RH**
**RoHS**


- Specially designed internal spring provides 1.5 mm of compression.
- IP 66 (Nema 4) are optional.

**MATERIAL**

Stainless Steel (AISI 3....)

For cams please check page:154

For keys please check page: 166 -167

3 mm Double bit	5 mm Double bit	8 mm Square	7 mm Triangular	8 mm Triangular	Railway
DD 13	DD 15	DD 28	DD 37	DD 38	DD 88

**PRODUCT CODE**

**064** - **4** - **0** - **DD** - **DT** - **CC**  
 GROUP CODE MATERIAL FINISH DRIVER DOOR THICKNESS CAM