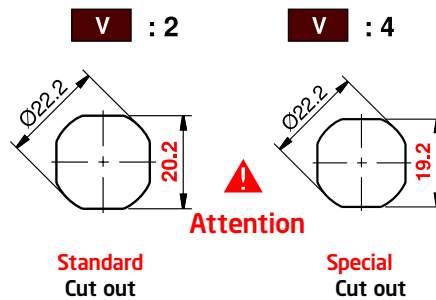

040
COMPRESSION LOCK
IP 65

LH/RH
RoHS

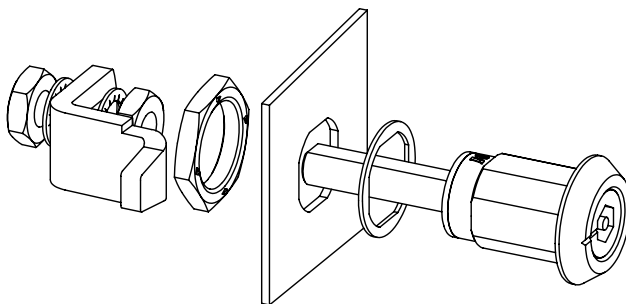

CAM	CC	CH	CL	H Grip	
				min	max
1	01	0	33	41	58
2	02	14	33	27	72
3	03	27.5	33	13.5	85



- Used for cabinets that require better sealing under vibration conditions.
- Lock provides 6 mm of compression
- Provides wide grip range with adjustable screw.
- Lock also provides noise isolation.
- Different drivers / cams are available.
- 3 different cam alternatives are available.

MATERIAL

Stainless Steel (AISI 316)


060 A3
FIXING DEVICE


- Can be ordered separately

PRODUCT CODE
