

COMPRESSION LOCK

040

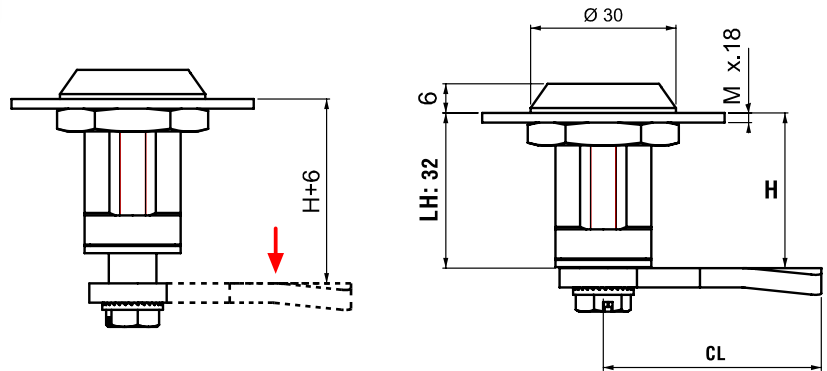


IP 65



LH/RH

RoHS



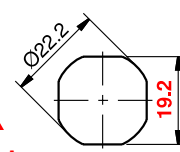
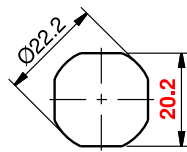
- Used for cabinets that require better sealing under vibration conditions.
- Lock provides 6 mm of compression
- Lock also provides noise isolation.
- Different drivers / cams are available.
- Standard cams without stopper are required to for these locks

MATERIAL

Stainless Steel (AISI 316)

V : 1

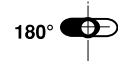
V : 3



Standard Cut out

Special Cut out

Attention



Unlock position

The first 90° of key rotation turns the cam to locking position.

Lock position

Further key rotation 180° applies compression

DRIVERS

3 mm Double bit	5 mm Double bit	Railway	8 mm Square	2X4 mm Slot
DD 13	DD 15	DD 88	DD 28	DD 42
		7 mm Triangular	8 mm Triangular	
		DD 37	DD 38	

For cams please check page: 154

For keys please check page: 166 - 167

PRODUCT CODE

